

Butterfly Valves (Concentric Type)

Specification

TYPE	CONCENTRIC
SIZE	1 1/2" up to 40" (DN40 ~ DN1000)
APPLICABLE	JIS / ANSI / DIN / ETC.
END CONN.	WAFER / LUGGED / FLANGED
OPERATOR	LEVER / GEAR / ACTUATOR / MOTOR
BODY MAT'L	CAST IRON
	CAST STEEL
	STAINLESS STEEL
	DUPLEX STEEL
DISC MAT'L	NI-AL BRONZE / ETC.
	STAINLESS STEEL
	DUPLEX STEEL
SEAT MAT'L	NI-AL BRONZE / ETC.
	RUBBER (NBR / EPDM / VITON / ETC.)

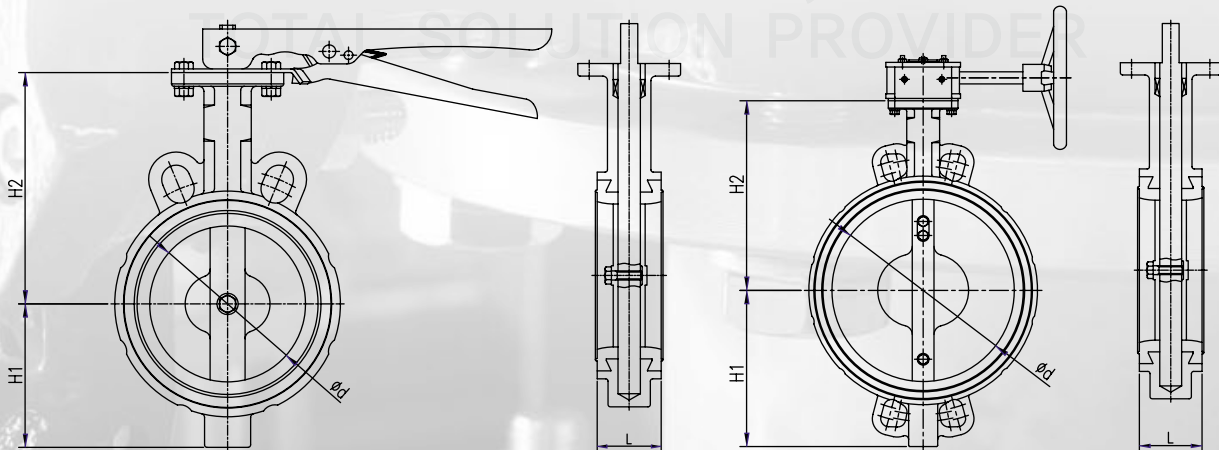
General Features

- Butterfly valves have several advantages including quarter-turn, openness for less plugging, and good control capabilities.
- Butterfly valves are rotary motion valves used as throttling valves to control flow through.
- A fully universal body design ensures fitment of the valve between companion flanges of all popular standards.
- Seat liner extending on to the contact faces ensures perfect sealing and eliminates the need for separate flange gaskets.

Top Flange & Testing

- Top Flange dimensions are in accordance with ISO 5211 and it matches with any type of actuators.
- Butterfly valves are confirm to API 598 and BS 5155. Body pressure test to be done 150% and shell to be 110% of maximum working pressure.

Concentric Wafer Type



Dimension

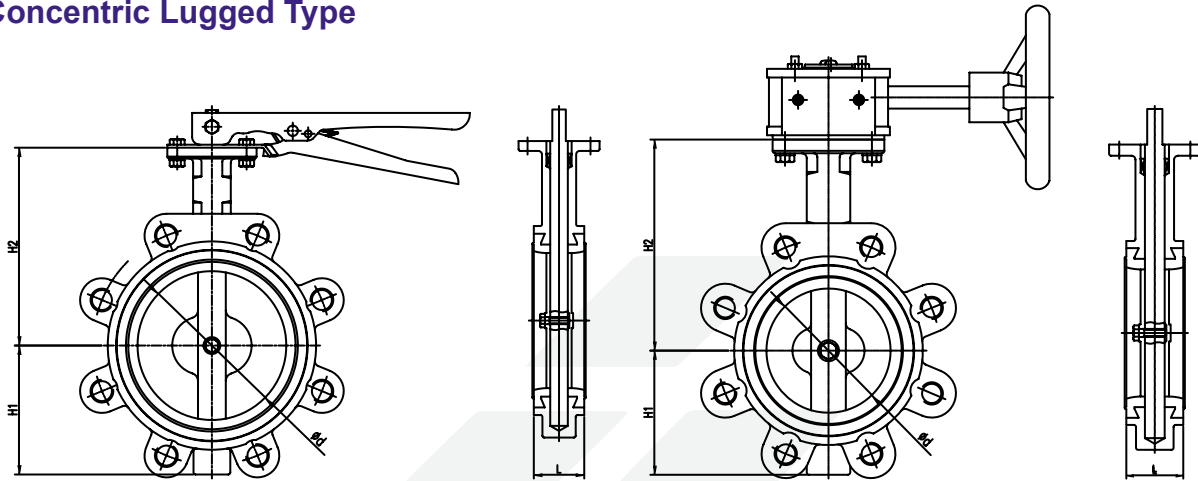
(Unit:mm) Dimension

(Unit:mm)

Size	øD	ød	L	H1	H2	WT(kg)	Size	øD	ød	L	H1	H2	WT(kg)
40	86	40	40	54	122	2.8	350	416	327	78	285	341	39
50	105	52	43	57	129	3.4	400	475	387	102	304	382	59
65	114	65	46	67	139	3.6	450	535	438	114	330	403	78
80	129	80	46	78	156	4.1	500	590	477	127	370	442	127
100	155	100	52	100	164	5.6	600	695	560	154	420	510	211
125	180	125	56	107	187	7	700	800	690	165	480	580	300
150	207	150	56	122	200	8.7	750	857	729	180	535	585	334
200	260	198	60	160	238	13.9	800	920	785	180	570	630	469
250	331	248	68	215	283	20	850	945	820	200	590	660	550
300	377	298	78	245	316	25	900	1000	870	203	640	700	620
							1000	1095	960	216	700	750	740

Butterfly Valves (Concentric Type)

Concentric Lugged Type



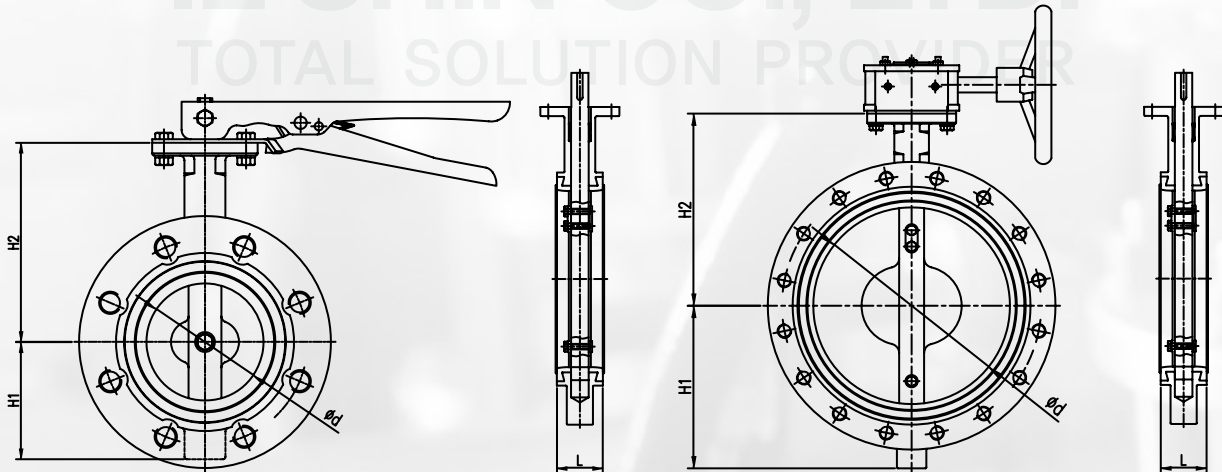
Dimension (Unit:mm)

Size	øD	ød	L	H1	H2	WT(kg)
40	86	40	40	54	122	3.8
50	105	52	43	57	129	4.1
65	114	65	46	67	139	4.3
80	129	80	46	78	156	5.1
100	155	100	52	100	164	8
125	180	125	56	107	187	8.7
150	207	150	56	122	200	11.7
200	260	198	60	160	238	17
250	331	248	68	215	283	29.8
300	377	298	78	245	316	42.4

Dimension (Unit:mm)

Size	øD	ød	L	H1	H2	WT(kg)
350	416	327	78	285	341	54
400	475	387	102	304	382	94
450	535	438	114	330	403	120
500	590	477	127	370	442	164
600	695	560	154	420	510	272
700	800	690	165	480	580	372
750	857	729	180	535	585	445
800	920	785	180	570	630	520
850	945	820	200	590	660	610
900	1000	870	203	640	700	687
1000	1095	960	216	700	750	821

Concentric Flanged Type



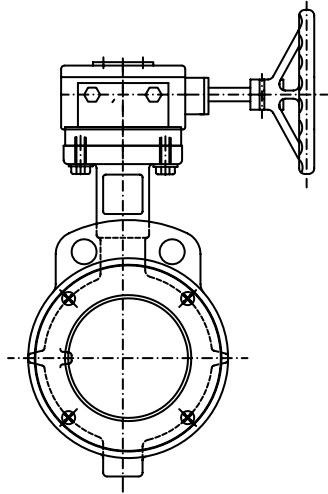
Dimension (Unit:mm)

Size	øD	ød	L	H1	H2	WT(kg)
40	86	40	40	54	122	5.2
50	105	52	43	57	129	5.8
65	114	65	46	67	139	6.5
80	129	80	46	78	156	8.1
100	155	100	52	100	164	10.4
125	180	125	56	107	187	12.5
150	207	150	56	122	200	16.4
200	260	198	60	160	238	29.5
250	331	248	68	215	283	37.8
300	377	298	78	245	316	55

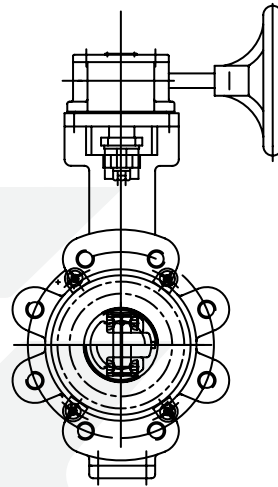
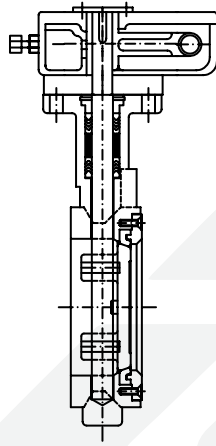
Dimension (Unit:mm)

Size	øD	ød	L	H1	H2	WT(kg)
350	416	327	78	285	341	62
400	475	387	102	304	382	85
450	535	438	114	330	403	114
500	590	477	127	370	442	135
600	695	560	154	420	510	242
700	800	690	165	480	580	341
750	857	729	180	535	585	403
800	920	785	180	570	630	520
850	945	820	200	590	660	620
900	1000	870	203	640	700	700
1000	1095	960	216	700	750	840

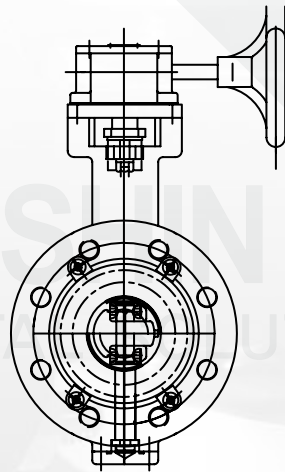
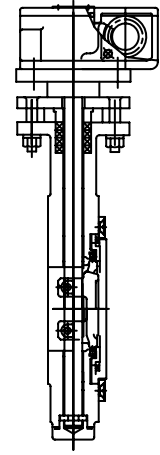
Butterfly Valves (High-Performance Type)



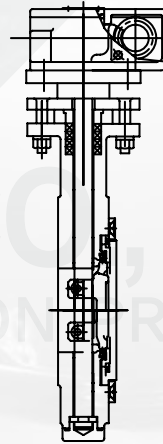
WAFER TYPE



LUGGED TYPE



FLANGED TYPE

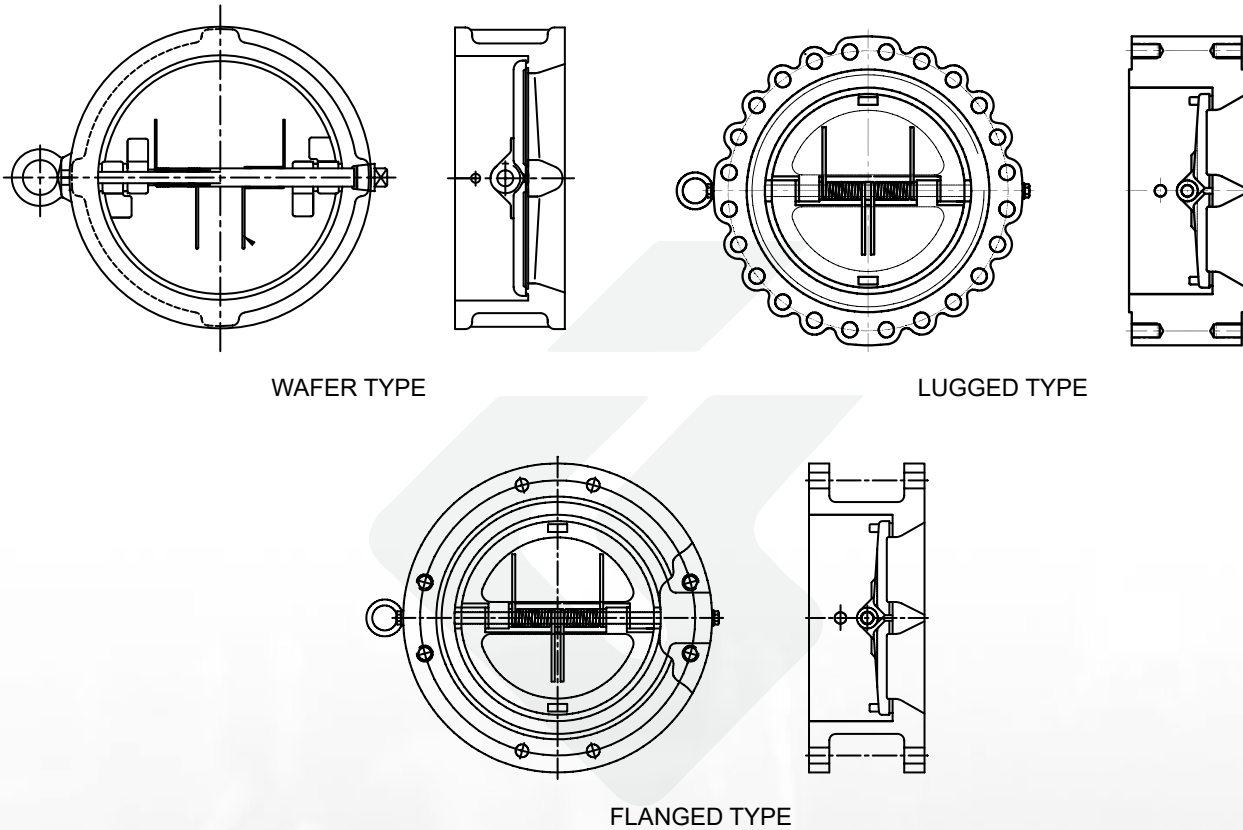


IL SHIN CO., LTD.
TOTAL SOLUTION PROVIDER

Specification

TYPE	ECCENTRIC (SINGLE / DOUBLE)	TRIPLE OFFSET
SIZE	2" up to 48" (DN50 ~ DN1200)	3" up to 24" (DN80 ~ DN600)
APPLICABLE	JIS / ANSI / DIN / ETC.	JIS / ANSI / DIN / ETC.
END CONN.	WAFER / LUGGED / FLANGED	WAFER / LUGGED / FLANGED
OPERATOR	LEVER / GEAR / ACTUATOR / MOTOR	LEVER / GEAR / ACTUATOR / MOTOR
BODY MAT'L	CAST IRON	CAST IRON
	CAST STEEL	CAST STEEL
	STAINLESS STEEL	STAINLESS STEEL
	DUPLEX STEEL	DUPLEX STEEL
DISC MAT'L	NI-AL BRONZE / ETC.	NI-AL BRONZE / ETC.
	STAINLESS STEEL	STAINLESS STEEL
SEAT MAT'L	DUPLEX STEEL	DUPLEX STEEL
	NI-AL BRONZE / ETC.	NI-AL BRONZE / ETC.
FEATURES	METAL / TEFLON / RUBBER	METAL
	FIRE SAFETY	
	BI-DIRECTIONAL TIGHT SHUT-OFF	

Duo Check Valves (Dual Plate)



WAFER TYPE

LUGGED TYPE

FLANGED TYPE

General Features

- The dual plate check valve is an all purpose non return valve that is much stronger, lighter in weight and smaller in size compared to a conventional swing check valve or lift check valves.
- Dual plate check valve is simple and compact, long life and high reliability.
- Variety of body designs available - Wafer, Lugged, Flanged and Solid lug.
- Simplicity installation.
- Only check valve which can be installed for flow upside down due to spring assisted closure.
- Low pressure drop and reduced energy loss irrespective of pressure ratings.
- Inherently non-slamming. No external devices and attachments required.

Specification

TYPE	DUO CHECK (DUAL PLATE)
SIZE	2" up to 60" (DN50 ~ DN1500)
APPLICABLE	ANSI 150# ~ 600#
END CONN.	JIS / ANSI / DIN / ETC.
OPERATOR	WAFER / LUGGED / FLANGED / SOLID-LUG
DESIGN	API 594 / API 6D
BODY MAT'L	CAST IRON
	CAST STEEL
	STAINLESS STEEL
	DUPLEX STEEL
DISC MAT'L	NI-AL BRONZE / ETC.
	STAINLESS STEEL
	DUPLEX STEEL
SEAT MAT'L	NI-AL BRONZE / ETC.
	METAL / RUBBER