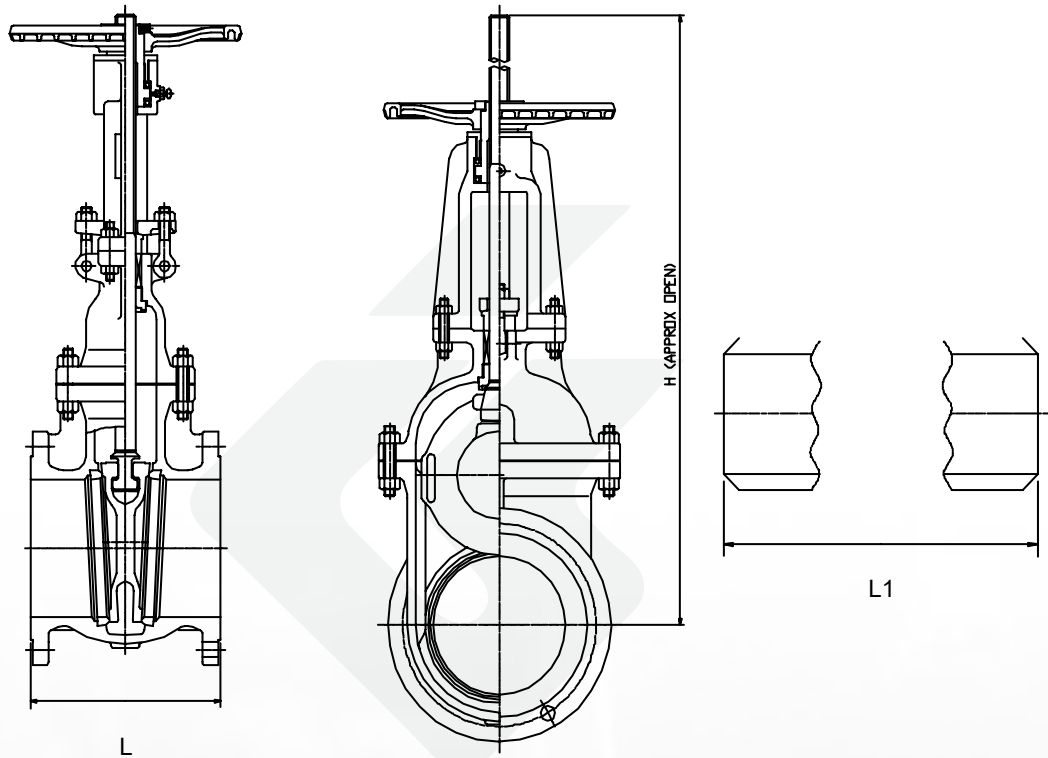


Industrial Valves Gate Valve



Standard Design Specification

- SIZE : 2" ~ 30" (DN50 ~ DN750)
- CLASS : ANSI 150# ~ 1500#
- DESIGN : API 600
- TYPE : BOLTED BONNET, OS&Y
- APPLICABLE : JIS / ANSI / DIN / ETC.
- END CONN : RF, RTJ, BW

No.	PARTS	MATERIAL		
1	BODY	A216-WCB	A351-CF8	A351-CF8M
2	BONNET	A216-WCB	A351-CF8	A351-CF8M
3	WEDGE	A217-CA15	A351-CF8	A351-CF8M
4	BODY SEAT RING	A105+H.F	A182-F304	A182-F316
5	STEM	A276-410	A276-304	A276-316
6	BONNET BUSH	A276-410	A276-304	A276-316
7	PACKING GLAND	A276-410	A276-304	A276-304
8	GLAND FLANGE	A105 OR A283-D	A351-CF8(304SS)	
9	YOKE SLEEVE	A439-D2C	AL-BRONZE	
10	BONNET BOLT	A193-B7	A193-B8	A193-B8
11	BONNET NUT	A194-2H	A194-8	A194-8
12	GLAND BOLT	A307-B	A193-B8	
13	GLAND NUT	A307-B	A194-8	
14	HINGE PIN	A108-1020	A276-304	
15	LANTERN RING	A276-410	A276-304	A276-316
16	YOKE	A216-WCB	A351-CF8	
17	YOKE BOLT	A193-B7	A193-B8	
18	YOKE NUT	A194-2H	A194-8	

Dimension (CLASS 150)

SIZE		in	2	2.5	3	4	6	8	10	12	14	16	18	20	24	28	30	
		mm	50	65	80	100	150	200	250	300	350	400	450	500	600	700	750	
L	in	7.0	7.5	8.0	9.0	10.5	11.5	13.0	14.0	15.0	16.0	17.0	18.0	20.0	24.0	24.0	24.0	
	mm	178	190	203	229	267	292	330	356	381	406	432	457	508	610	610	610	
L1	in	8.5	9.5	11.12	12.0	15.87	16.5	18.0	19.75	22.5	24.0	26.0	28.0	32.0	36.0	36.0	36.0	
	mm	216	241	283	305	403	419	457	502	572	610	660	711	813	914	914	914	
H	in	15.2	16.5	17.9	22.6	30.4	38.2	46.2	54.3	59.7	68.5	78.9	91.2	109.2	127.1	134.6	134.6	
	mm	386	419	455	574	772	970	1173	1379	1516	1740	2004	2316	2774	3228	3419	3419	
Weight	RF	lb	46	55	66	99	181	267	417	600	794	1151	1356	1667	2675	4229	4465	4465
		kg	21	25	30	45	82	121	189	272	360	522	615	756	1213	1918	2025	2025
	BW	lb	42	46	64	93	148	247	384	584	761	1103	1305	1660	3233	4628	4893	4893
		kg	19	21	29	42	67	112	174	265	345	500	592	753	1466	2099	2219	2219

Dimension (CLASS 300)

SIZE		in	2	2.5	3	4	6	8	10	12	14	16	18	20	24	28	30	
		mm	50	65	80	100	150	200	250	300	350	400	450	500	600	700	750	
L&L1	in	8.5	9.5	11.12	12.0	15.88	16.5	18.0	19.75	30.0	33.0	36.0	39.0	45.0	53.0	55.0	55.0	
	mm	216	241	283	305	403	419	457	502	762	838	914	991	1143	1346	1397	1397	
H	in	16.1	17.5	18.8	23.5	31.9	40.3	48.7	56.9	66.0	78.4	85.6	93.5	112.8	129.7	148.1	148.1	
	mm	409	445	478	597	810	1024	1237	1445	1676	1991	2174	2375	2865	3294	3762	3762	
Weight	RF	lb	57	82	101	157	309	476	657	1019	1530	2145	2838	3380	5281	7929	9389	9389
		kg	26	37	46	71	140	216	298	462	694	973	1287	1533	2395	3596	4258	4258
	BW	lb	53	73	84	126	260	381	523	842	1297	1863	2417	2891	4481	6738	7914	7914
		kg	24	33	38	57	118	173	237	382	588	845	1096	1311	2032	3056	3589	3589

Dimension (CLASS 600)

SIZE		in	2	2.5	3	4	6	8	10	12	14	16	18	20	24	28	30	
		mm	50	65	80	100	150	200	250	300	350	400	450	500	600	700	750	
L&L1	in	11.5	13.0	14.00	17.0	22.00	26.0	31.0	33.00	35.0	39.0	43.0	47.0	55.0	61.0	65.0	65.0	
	mm	292	330	356	432	556	660	787	838	889	991	1092	1194	1397	1549	1651	1651	
H	in	18.6	19.4	22.3	26.5	37.4	43.5	51.8	65.5	71.6	83.2	98.2	104.2	116.7	140.3	152.6	152.6	
	mm	472	493	566	673	950	1105	1316	1664	1819	2113	2494	2647	2964	3564	3876	3876	
Weight	RF	lb	86	128	152	284	600	961	1480	2256	2840	3958	5221	6604	10103	13089	15713	15713
		kg	39	58	69	129	272	436	671	1023	1288	1795	2368	2995	4582	5936	7126	7126
	BW	lb	62	90	130	225	437	712	1217	2040	2611	3371	4736	5757	8813	10868	13512	13512
		kg	28	41	59	102	198	323	552	925	1184	1529	2148	2611	3997	4929	6128	6128

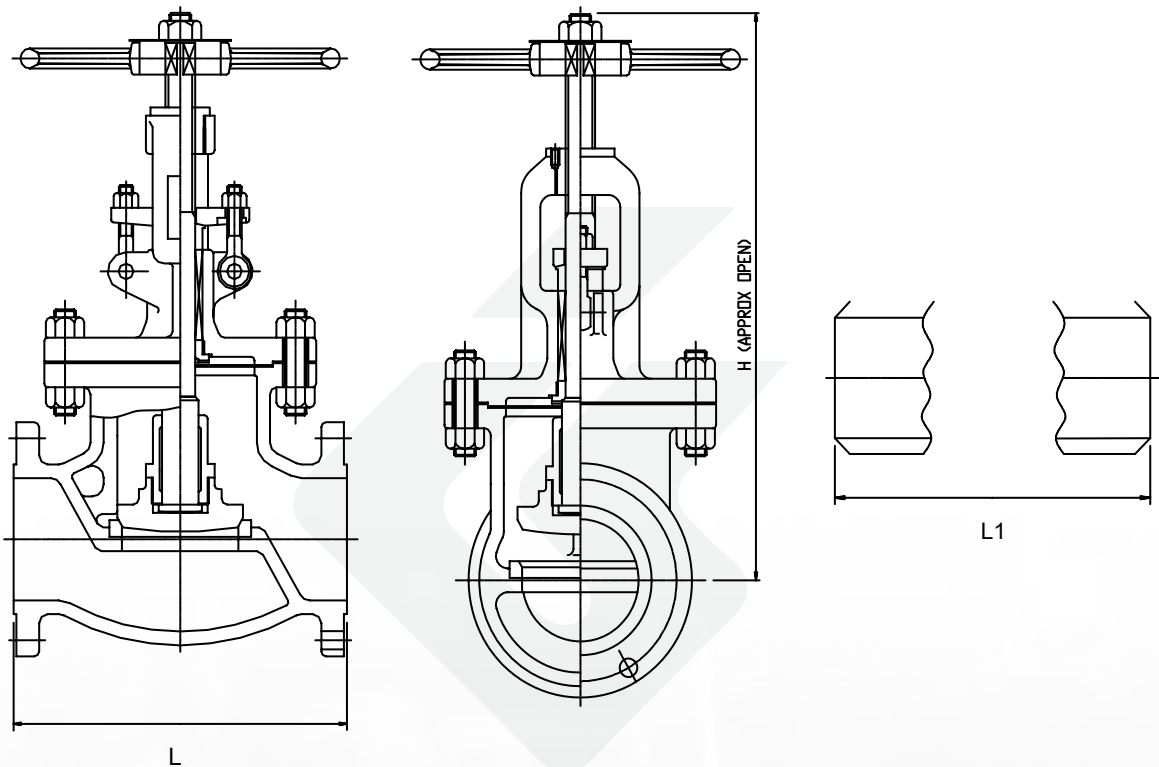
Dimension (CLASS 900)

SIZE		in	2	2.5	3	4	6	8	10	12	14	16	18	20	24
		mm	50	65	80	100	150	200	250	300	350	400	450	500	600
L&L1	in	14.5	16.5	15.0	18.0	24.0	29.0	33.0	38.0	38.0	40.5	44.5	48.0	52.0	61.0
	mm	368	419	381	457	610	737	838	965	1029	1130	1219	1219	1321	1549
H	in	21.1	26.5	26.5	30.9	42.5	55.5	67.5	77.5	77.5	74.9	80.5	88.9	110.5	124.2
	mm	536	673	673	785	1080	1410	1715	1969	1902	2045	2258	2258	2807	3155
Weight	RF	lb	176	300	351	373	988	1702	2688	3497	4710	6322	8525	10566	15909
		kg	80	136	159	169	448	772	1219	1586	2136	2867	3866	4792	7215
	BW	lb	132	282	267	271	741	1352	2194	2864	3890	5415	7202	8937	13854
		kg	60	128	121	123	336	613	995	1299	1764	2456	3266	4053	6283

Dimension (CLASS 1500)

SIZE		in	2	2.5	3	4	6	8	10	12	14	16
		mm	50	65	80	100	150	200	250	300	350	400
L&L1	in	14.5	16.5	18.5	21.5	27.75	32.75	39.0	44.5	49.5	54.5	54.5
	mm	368	419	470	546	705	832	991	1130	1257	1384	1384
H	in	21.1	26.5	29.2	30.9	46.8	60.6	66.6	82.5	85.6	97.3	97.3
	mm	536	673	742	785	1189	1539	1692	2096	2174	2471	2471
Weight	RF	lb	187	329	399	578	1444	3008	4714	7142	8807	15190
		kg	85	149	181	262	655	1364	2138	3239	3994	6889
	BW	lb	161	276	329	386	1230	2622	3951	6326	7418	13411
		kg	73	125	149	175	558	1189	1792	2869	3364	6082

Industrial Valves Globe Valve



Standard Design Specification

- SIZE : 2" ~ 18" (DN50 ~ DN450)
- CLASS : ANSI 150# ~ 1500#
- DESIGN : BS 1873
- TYPE : BOLTED BONNET, OS&Y
- APPLICABLE : JIS / ANSI / DIN / ETC.
- END CONN : RF, RTJ, BW

No.	PARTS	MATERIAL		
1	BODY	A216-WCB	A351-CF8	A351-CF8M
2	BONNET	A216-WCB	A351-CF8	A351-CF8M
3	DISC	A217-CA15	A351-CF8	A351-CF8M
4	BODY SEAT RING	A105+H.F	A182-F304	A182-F316
5	STEM	A276-410	A276-304	A276-316
6	DISC GLAND	A276-410	A276-304	A276-316
6	BONNET BUSH	A276-410	A276-304	A276-316
7	PACKING GLAND	A276-410	A276-304	A276-304
8	GLAND FLANGE	A105 OR A283-D	A351-CF8(304SS)	
9	YOKE SLEEVE	A439-D2C	AL-BRONZE	
10	BONNET BOLT	A193-B7	A193-B8	A193-B8
11	BONNET NUT	A194-2H	A194-8	A194-8
12	GLAND BOLT	A307-B	A193-B8	
13	GLAND NUT	A307-B	A194-8	
14	HINGE PIN	A108-1020	A276-304	
15	LANTERN RING	A276-410	A276-304	A276-316

Dimension (CLASS 150)

SIZE	in	2	2.5	3	4	6	8	10	12	14	16	18	
	mm	50	65	80	100	150	200	250	300	350	400	450	
L&L1	in	8.0	8.5	9.5	11.5	16.0	19.5	24.5	27.5	31.0	36.0	38.5	
	mm	203	216	241	292	406	495	622	698	787	914	978	
H	in	13.2	14.6	16.9	18.9	22.9	28.3	32.3	39.4	53.6	53.9	75.9	
	mm	335	371	429	480	582	719	820	1001	1361	1369	1928	
Weight	RF	lb	46	75	86	126	236	397	644	1003	1497	1978	2796
		kg	21	34	39	57	107	180	292	455	679	897	1268
	BW	lb	40	62	73	110	209	357	576	917	1330	1788	2134
		kg	18	28	33	50	95	162	261	416	603	811	968

Dimension (CLASS 300)

SIZE	in	2	2.5	3	4	6	8	10	12	14	16	18	
	mm	50	65	80	100	150	200	250	300	350	400	450	
L&L1	in	10.5	11.5	12.5	14.0	17.5	22.0	24.5	28.0	33.0	34.0	38.5	
	mm	267	292	318	356	444	559	622	711	838	864	978	
H	in	15.1	16.2	18.4	21.9	27.7	31.2	42.3	44.9	54.8	70.3	74.1	
	mm	384	411	467	556	704	792	1074	1140	1392	1786	1882	
Weight	RF	lb	68	88	137	205	386	593	1003	2068	2335	3138	3343
		kg	31	40	62	93	175	269	455	938	1059	1423	1516
	BW	lb	62	75	115	165	326	527	873	1870	2055	2853	3003
		kg	28	34	52	75	148	239	396	848	932	1294	1362

Dimension (CLASS 600)

SIZE	in	2	2.5	3	4	6	8	10	12	14	16	18	
	mm	50	65	80	100	150	200	250	300	350	400	450	
L&L1	in	11.5	13.0	14.00	17.0	22.00	26.0	31.0	33.00	35.0	39.0	43.0	
	mm	292	330	356	432	556	660	787	838	889	991	1092	
H	in	16.9	19.3	19.8	22.4	29.8	45.9	53.6	63.4	69.8	75.3	80.5	
	mm	429	490	503	569	757	1166	1361	1610	1773	1913	2045	
Weight	RF	lb	97	146	165	298	615	1246	1894	2769	3868	4401	5131
		kg	44	66	75	135	279	565	859	1256	1754	1996	2327
	BW	lb	75	112	126	214	450	1078	1550	2194	3204	3799	4399
		kg	34	51	57	97	204	489	703	995	1453	1723	1995

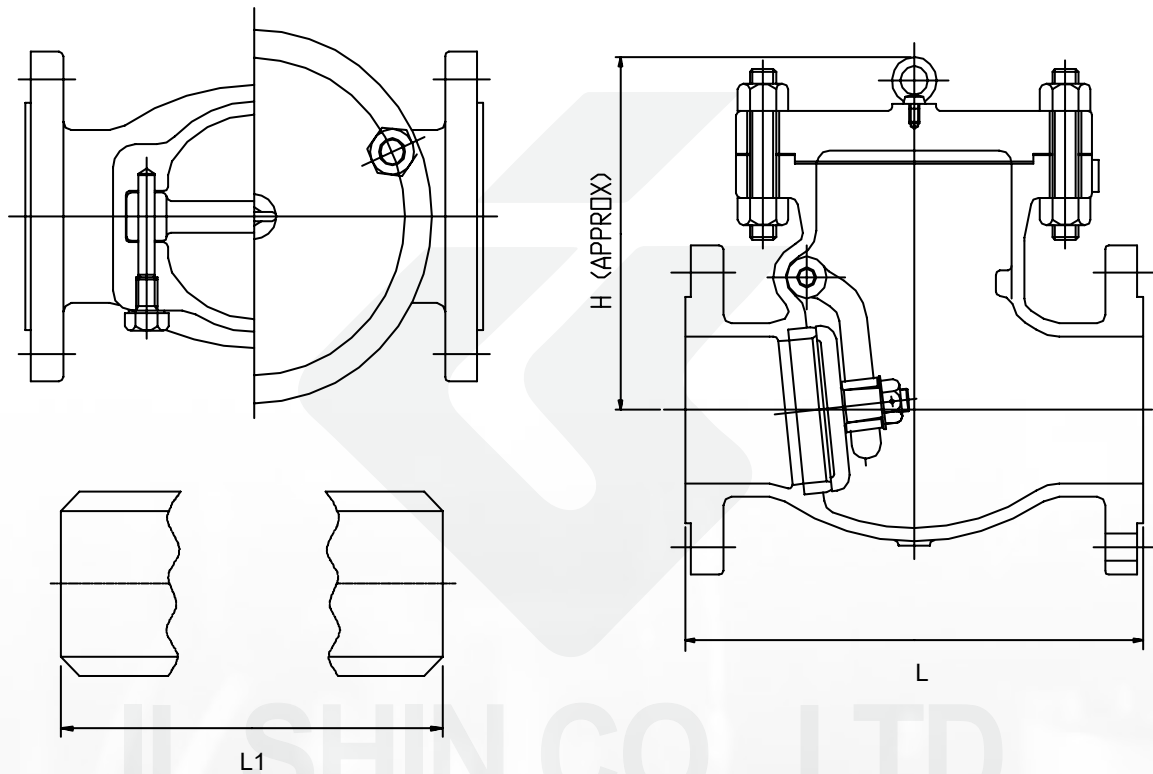
Dimension (CLASS 900)

SIZE	in	2	2.5	3	4	6	8	10	12	14	
	mm	50	65	80	100	150	200	250	300	350	
L&L1	in	14.5	16.5	15.0	18.0	24.0	29.0	33.0	38.0	40.5	
	mm	368	419	381	457	610	737	838	965	1029	
H	in	27.1	27.4	29.9	33.5	50.3	63.9	65.8	68.3	84.6	
	mm	688	696	759	851	1278	1623	1671	1735	2149	
Weight	RF	lb	232	258	232	423	1065	2681	4339	5731	7854
		kg	105	117	105	192	483	1216	1968	2599	3562
	BW	lb	198	225	209	364	926	2388	3865	5173	7089
		kg	90	102	95	165	420	1083	1753	2346	3215

Dimension (CLASS 1500)

SIZE	in	2	2.5	3	4	6	8	10	12	14	
	mm	50	65	80	100	150	200	250	300	350	
L&L1	in	14.5	16.5	18.5	21.5	27.75	32.75	39.0	44.5	49.5	
	mm	368	419	470	546	705	832	991	1130	1257	
H	in	27.3	28.1	31.7	40.3	53.2	73.6	90.7	104.9	125.5	
	mm	693	714	805	1024	1351	1869	2304	2664	3188	
Weight	RF	lb	232	258	415	756	1475	4223	6743	9312	11766
		kg	105	117	188	343	669	1915	3058	4223	5336
	BW	lb	198	225	304	628	1211	3834	5982	8053	10489
		kg	90	102	138	285	549	1739	2713	3652	4757

Industrial Valves Swing Check Valve



IL SHIN CO., LTD.
TOTAL SOLUTION PROVIDER

Standard Design Specification

- SIZE : 2" ~ 30" (DN50 ~ DN750)
- CLASS : ANSI 150# ~ 1500#
- DESIGN : BS 1868
- TYPE : BOLTED COVER
- APPLICABLE : JIS / ANSI / DIN / ETC.
- END CONN : RF, RTJ, BW

No.	PARTS	MATERIAL		
1	BODY	A216-WCB	A351-CF8	A351-CF8M
2	COVER	A216-WCB	A351-CF8	A351-CF8M
3	DISC	A217-CA15	A351-CF8	A351-CF8M
4	BODY SEAT RING	A105+H.F	A182-F304	A182-F316
5	HINGE PIN	A276-410	A276-304	A276-316
6	ARM	A216-WCB	A351-CF8	A351-CF8M
7	BONNET BOLT	A193-B7	A193-B8	A193-B8
8	BONNET NUT	A194-2H	A194-8	A194-8

Dimension (CLASS 150)

SIZE	in	2	2.5	3	4	6	8	10	12	14	16	18	20	24	28	30	
	mm	50	65	80	100	150	200	250	300	350	400	450	500	600	700	750	
L&L1	in	8.0	8.5	9.5	11.5	16.0	19.5	24.5	27.5	31.0	36.0	38.5	38.5	51.0	57.0	60.0	
	mm	203	216	241	292	406	495	622	698	787	914	978	978	1295	1448	1524	
H	in	5.6	6.5	7.0	8.4	9.8	12.9	15.5	17.8	18.4	22.3	25.1	27.5	36.6	39.6	44.7	
	mm	142	165	178	213	249	328	394	452	467	566	638	699	930	1006	1135	
Weight	RF	lb	35	51	64	93	170	276	487	719	893	1297	1625	2042	3579	4476	6297
		kg	16	23	29	42	77	125	221	326	405	588	737	926	1623	2030	2856
	BW	lb	26	35	46	68	148	240	423	606	732	1094	1387	1746	3188	4042	5786
		kg	12	16	21	31	67	109	192	275	332	496	629	792	1446	1833	2624

Dimension (CLASS 300)

SIZE	in	2	2.5	3	4	6	8	10	12	14	16	18	20	24	28	30	
	mm	50	65	80	100	150	200	250	300	350	400	450	500	600	700	750	
L&L1	in	10.5	11.5	12.5	14.0	17.5	22.0	24.5	28.0	33.0	34.0	38.5	40.0	53.0	59.0	62.75	
	mm	267	292	318	356	444	559	622	711	838	864	978	1016	1346	1499	1594	
H	in	6.9	7.6	8.4	9.1	12.3	13.9	18.2	20.5	22.6	25.9	29.6	31.2	38.3	44.9	48.4	
	mm	175	193	213	231	312	353	462	521	574	658	752	792	973	1140	1229	
Weight	RF	lb	49	77	90	146	278	470	653	1021	1475	1863	2615	3215	4694	6125	7135
		kg	22	35	41	66	126	213	296	463	669	845	1186	1458	2129	2778	3236
	BW	lb	44	71	75	110	223	401	503	873	1219	1528	2134	2628	4240	7678	6117
		kg	20	32	34	50	101	182	228	396	553	693	968	1192	1923	3482	2774

Dimension (CLASS 600)

SIZE	in	2	2.5	3	4	6	8	10	12	14	16	18	20	24	28	30	
	mm	50	65	80	100	150	200	250	300	350	400	450	500	600	700	750	
L&L1	in	11.5	13.0	14.00	17.0	22.00	26.0	31.0	33.00	35.0	39.0	43.0	47.0	55.0	61.0	65.0	
	mm	292	330	356	432	556	660	787	838	889	991	1092	1194	1397	1549	1651	
H	in	7.7	8.4	9.5	11.7	15.5	17.2	21.3	23.5	26.3	31.5	35.9	38.8	45.7	52.1	55.8	
	mm	196	213	241	297	394	437	541	597	668	800	912	986	1161	1323	1417	
Weight	RF	lb	79	115	143	240	503	880	1334	1779	2328	3292	4401	5572	7047	8816	10721
		kg	36	52	65	109	228	399	605	807	1056	1493	1996	2527	3196	3998	4862
	BW	lb	64	93	117	179	417	759	1076	1574	1843	2679	3583	4703	5371	7486	9111
		kg	29	42	53	81	189	344	488	714	836	1215	1625	2133	2436	3395	4132

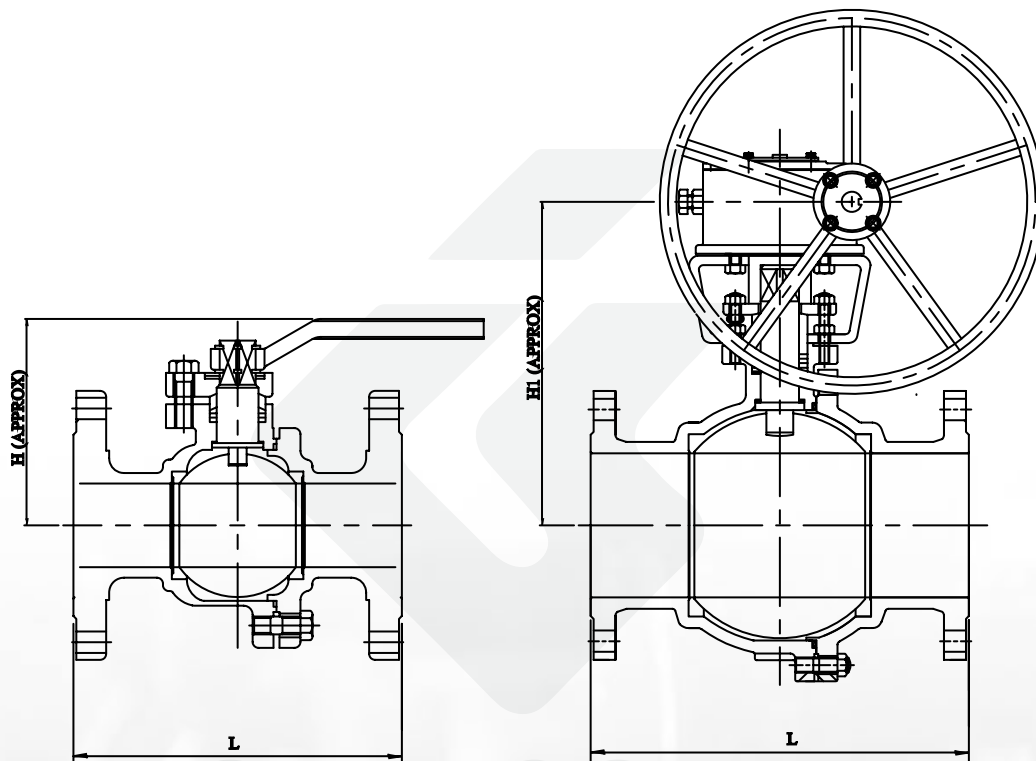
Dimension (CLASS 900)

SIZE	in	2	2.5	3	4	6	8	10	12	14	16	18	20	24	
	mm	50	65	80	100	150	200	250	300	350	400	450	500	600	
L&L1	in	14.5	16.5	15.0	18.0	24.0	29.0	33.0	38.0	40.5	44.5	48.0	52.0	61.0	
	mm	368	419	381	457	610	737	838	965	1029	1130	1219	1321	1549	
H	in	12.3	12.9	13.2	15.6	17.4	20.6	26.1	28.6	30.9	32.6	35.5	39.8	45.6	
	mm	312	328	335	396	442	523	663	726	785	828	902	1011	1158	
Weight	RF	lb	157	205	238	454	814	1363	2410	2952	3647	5067	6428	8304	12271
		kg	71	93	108	206	369	618	1093	1339	1654	2298	2915	3766	5565
	BW	lb	112	179	185	357	628	1072	1949	2564	3111	4399	5321	6972	9537
		kg	51	81	84	162	285	486	884	1163	1411	1995	2413	3162	4325

Dimension (CLASS 1500)

SIZE	in	2	2.5	3	4	6	8	10	12	14	16	
	mm	50	65	80	100	150	200	250	300	350	400	
L&L1	in	14.5	16.5	18.5	21.5	27.75	32.75	39.0	44.5	49.5	54.5	
	mm	368	419	470	546	705	832	991	1130	1257	1384	
H	in	12.3	12.9	13.7	15.8	21.9	24.5	28.6	36.4	38.2	40.6	
	mm	312	328	348	401	556	622	726	925	970	1031	
Weight	RF	lb	157	205	359	659	1250	2353	4002	6604	7208	10187
		kg	71	93	163	299	567	1067	1815	2995	3269	4620
	BW	lb	112	179	289	536	966	1945	3257	5442	5876	7828
		kg	51	81	131	243	438	882	1477	2468	2665	3550

Industrial Valves Ball Valve



IL SHIN CO., LTD.
TOTAL SOLUTION PROVIDER

Specification

TYPE	FLOATING	TRUNNION
SIZE	½" up to 10" (DN15 ~ DN250)	½"~ 48"(DN15 ~ DN1200)
CLASS RATING	ANSI 150# ~ 2500#	ANSI 150# ~ 2500#
APPLICABLE	JIS / ANSI / DIN / ETC.	JIS / ANSI / DIN / ETC.
BORE	FULL / REDUCED	FULL / REDUCED
END CONN.	FLANGED / BW / SW	FLANGED / BW / SW
BONNET	SIDE ENTRY / TOP ENTRY	SIDE ENTRY / TOP ENTRY
DESIGN	ASME B16.34 API 6D / API 608	ASME B16.34 API 6D / API 608
FACE TO FACE	ASME B16.10	ASME B16.10
OPERATOR	LEVER / GEAR / ACTUATOR	LEVER / GEAR / ACTUATOR
BODY MAT'L (CASTING / FORGING)	CARBON STEEL STAINLESS STEEL ALLOY / DUPLEX STEEL NI-AL BRONZE / ETC.	CARBON STEEL STAINLESS STEEL ALLOY / DUPLEX STEEL NI-AL BRONZE / ETC.
SEAT MAT'L	PTFE / RTFE / DEBLON / PEEK / METAL	PTFE / RTFE / DEBLON / PEEK / METAL
FEATURES	FIRE SAFETY DESIGN ANTI-STATIC DEVICE NACE CRYOGENIC	