

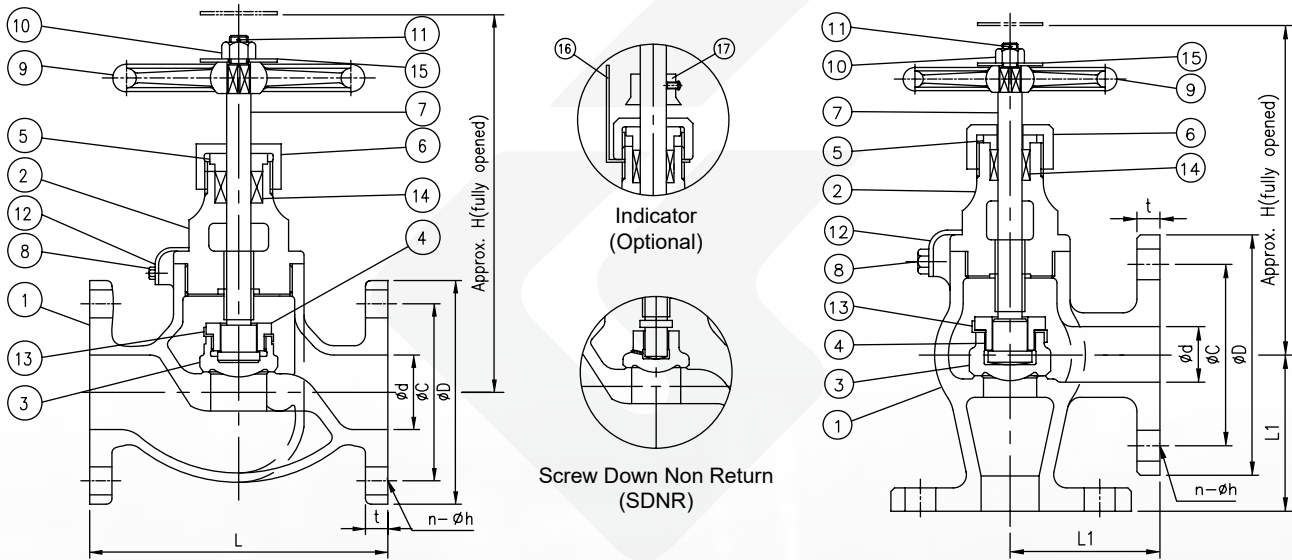
Marine Valves (Cast Bronze)

JIS 5K Globe Valves (Angle) JIS F7301 / F7302

JIS 16K Globe Valves (Angle) JIS F7303 / F7304

JIS 5K Globe Screw-Down Check Valves (Angle) JIS F7351 / F7352

JIS 16K Globe Screw-Down Check Valves (Angle) JIS F7409 / F7410



Dimension

(Unit:mm)

No.	PARTS	MATERIAL
1	BODY	BRONZE
2	BONNET	BRONZE / BRASS
3	DISC	BRONZE / BRASS
4	VALVE DISC NUT	BRASS
5	PACKING GLAND	BRASS
6	GLAND NUT	BRASS
7	STEM	BRASS
8	SET SCREW	BRASS
9	HANDWHEEL	CAST IRON
10	HEXAGON NUT	BRASS
11	SPLIT PIN	BRASS
12	LOCK PLATE	BRASS
13	DISC LOCK WASHER	BRASS
14	PACKING	NON ASBESTOS
15	WASHER	STEEL
16	INDICATOR PLATE	BRASS
17	INDICATOR PIECE	BRASS

Test Pressure (MPa)

Rating	JIS 5K	JIS 16K
Hydrostatic press test (Shell)	1.03	3.24
Hydrostatic press test (Seat)	0.76	2.37

Rating	Size	ød	øD	øC	N-øh	t	L	H	Weight (kg)
JIS 5K (JIS F7301)	15A	15	80	60	4-12	9	100	130	2.02
	20A	20	85	65	4-12	10	110	140	2.86
	25A	25	95	75	4-12	10	120	160	3.54
	32A	32	115	90	4-15	12	140	170	5
	40A	40	120	95	4-15	12	160	190	6.48
	50A	50	130	105	4-15	14	210	235	11.7
65A	65	155	130	4-15	14	250	260	17	
JIS 16K (JIS F7303)	15A	15	95	70	4-15	12	110	130	2.76
	20A	20	100	75	4-15	14	120	140	3.72
	25A	25	125	90	4-19	14	130	160	5.20
	32A	32	135	100	4-19	16	160	170	6.91
40A	40	140	105	4-19	16	180	190	8.43	
JIS 5K (JIS F7302)	15A	15	80	60	4-12	9	55	120	1.98
	20A	20	85	65	4-12	10	60	130	2.73
	25A	25	95	75	4-12	10	65	145	3.44
	32A	32	115	90	4-15	12	80	150	4.77
	40A	40	120	95	4-15	12	85	165	5.99
	50A	50	130	105	4-15	14	100	200	10.1
65A	65	155	130	4-15	14	115	220	15.6	
JIS 16K (JIS F7304)	15A	15	95	70	4-15	12	70	120	2.73
	20A	20	100	75	4-15	14	75	130	3.65
	25A	25	125	90	4-19	14	85	145	5.16
	32A	32	135	100	4-19	16	95	150	6.72
40A	40	140	105	4-19	16	100	165	8.13	

Remark : 1. The flanges shall conform to nominal pressure 5K and 16K of JIS B2240.

2. JIS F7301 5K for nominal dia 50 and 65 shall be made Bolted Bonnet type.

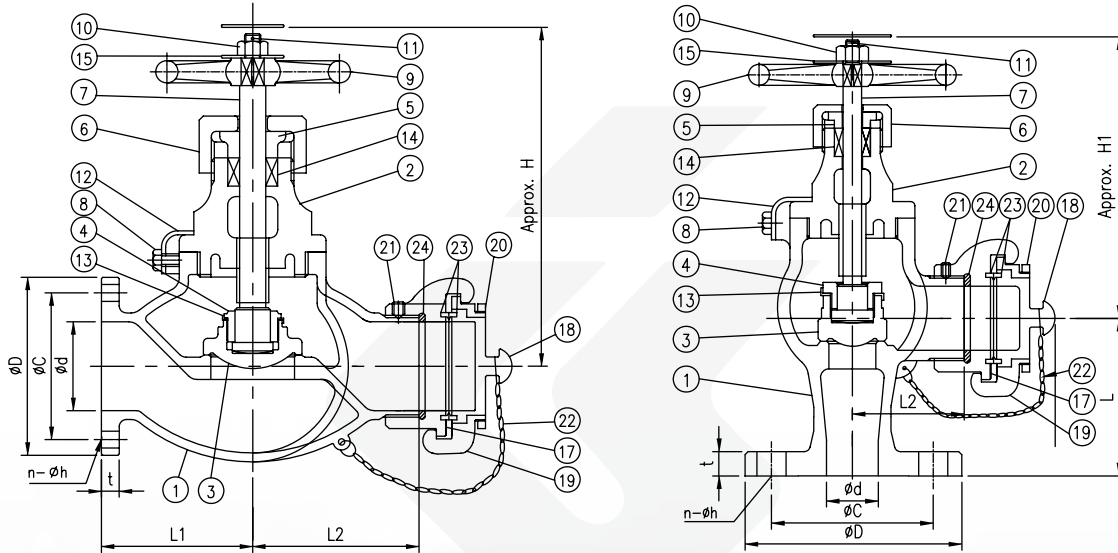
Marine Valves (Cast Bronze)

JIS 5K/10K Hose Globe Valves

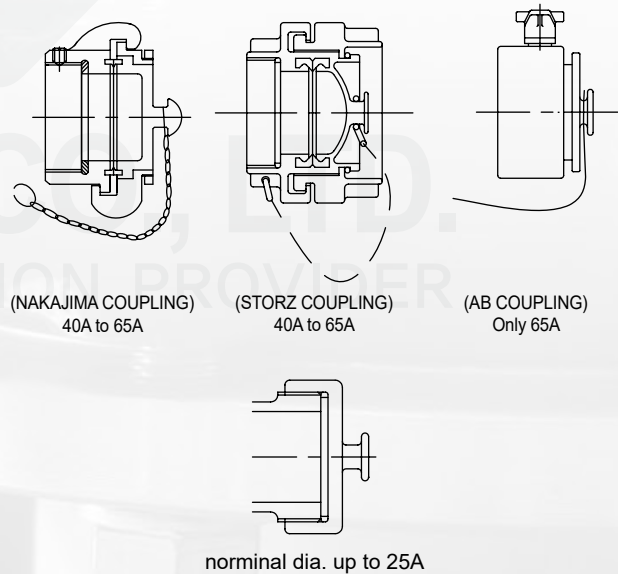
JIS F7334

JIS 5K/10K Hose Angle Valves

JIS F7334



No.	PARTS	MATERIAL
1	BODY	BRONZE
2	BONNET	BRONZE / BRASS
3	DISC	BRONZE / BRASS
4	DISC NUT	BRASS
5	PACKING GLAND	BRASS
6	GLAND NUT	BRASS
7	STEM	BRASS
8	MACHINE SCREW	BRASS
9	HANDWHEEL	CAST IRON
10	HEXAGON NUT	BRASS
11	SPLIT PIN	BRASS
12	BONNET LOCK PLATE	BRASS
13	DISC LOCK WASHER	BRASS
14	PACKING	NON ASBESTOS
15	WASHER	STEEL
17	BASE CONNECTION	BRONZE
18	CAP	BRONZE
19	COUPLING RING	BRONZE
20	SET RING	BRONZE
21	SET SCREW	STEEL
22	CHAIN	STAINLESS STEEL WIRE
23	GASKET	RUBBER
24	GASKET	NON ASBESTOS



Test Pressure (MPa)

Rating	JIS 5K	JIS 10K
Hydrostatic press test (Shell)	1.03	2.06
Hydrostatic press test (Seat)	0.76	1.51

Dimension

(Unit:mm)

Rating	Size	ød	øD	øC	N-øh	t	L1	L	H	H1	Globe WT (kg)	Angle WT (kg)
JIS 5K (JIS F7334)	15A	15	80	60	4-12	9	50	55	130	120	2.51	2.41
	20A	20	85	65	4-12	10	60	65	160	145	3.55	3.44
	25A	25	95	75	4-12	10	60	65	160	145	3.55	3.44
	32A	32	115	90	4-15	12	80	85	190	165	6.26	5.91
JIS 10K (JIS F7334)	15A	15	95	70	4-15	12	55	70	130	120	2.76	2.72
	20A	20	100	75	4-15	14	65	85	160	145	4.15	4.04
	25A	25	125	90	4-19	14	65	85	160	145	4.15	4.04
	32A	32	135	100	4-19	16	90	100	190	165	8.43	8.19
	40A	40	140	105	4-19	16	90	100	190	165	8.43	8.19

Remark : 1. The flanges shall conform to JIS B2240.

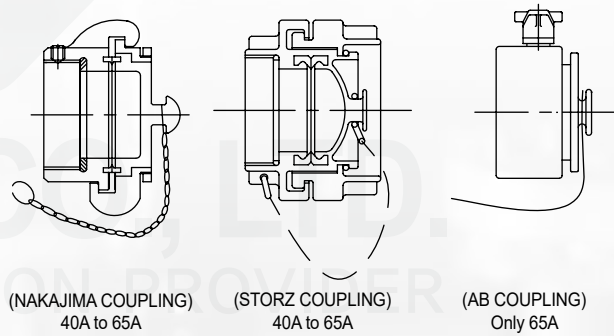
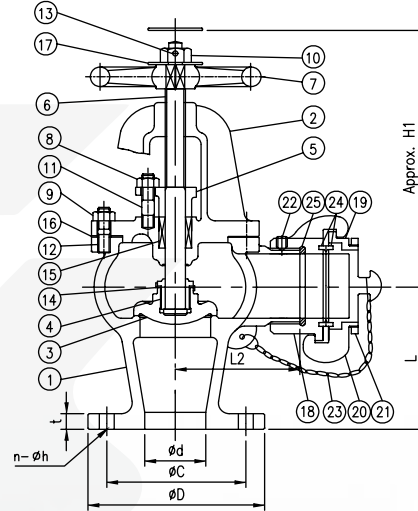
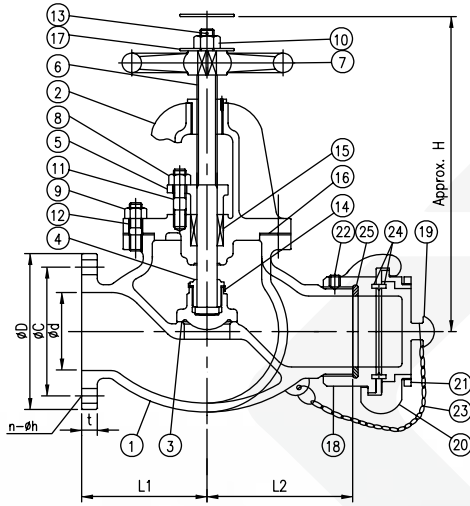
Marine Valves (Cast Bronze)

JIS 5K/10K/16K Hose Globe Valves

JIS F7334

JIS 5K/10K/16K Hose Angle Valves

JIS F7334



No.	PARTS	MATERIAL
1	BODY	BRONZE
2	BONNET	BRONZE
3	DISC	BRONZE
4	DISC NUT	BRASS
5	PACKING GLAND	BRASS
6	STEM	BRASS
7	HANDWHEEL	CAST IRON
8	HEXAGON NUT	BRASS / STAINLESS STEEL
9	HEXAGON NUT	BRASS / STAINLESS STEEL
10	HEXAGON NUT	BRASS / STAINLESS STEEL
11	STUD BOLT	BRASS
12	STUD BOLT	BRASS
13	SPLIT PIN	BRASS
14	DISC LOCK WASHER	BRASS
15	PACKING	NON ASBESTOS
16	GASKET	NON ASBESTOS
17	WASHER	STEEL
18	BASE CONNECTION	BRONZE
19	CAP	BRONZE
20	COUPLING RING	BRONZE
21	SET RING	BRONZE
22	SET SCREW	BRASS
23	CHAIN	STAINLESS STEEL WIRE
24	GASKET	RUBBER
25	GASKET	NON ASBESTOS

Test Pressure (MPa)

Rating	JIS 5K	JIS 10K/16K
Hydrostatic press test (Shell)	1.03	2.06
Hydrostatic press test (Seat)	0.76	1.51

Dimension

(Unit:mm)

Rating	Size	ød	øD	øC	N-øh	t	L1	L	H	H1	Globe WT (kg)	Angle WT (kg)
JIS 5K (JIS F7334)	50A	50	130	105	4-15	14	105	100	255	225	12.9	11.0
	65A	65	175	140	4-19	18	135	130	295	255	27.8	23.0
JIS 10K (JIS F7334)	50A	50	155	120	4-19	16	110	120	270	240	15.4	14.3
	65A	65	175	140	8-19	18	135	130	295	255	27.8	23.0
JIS 16K (JIS F7334)	50A	50	155	120	8-19	16	110	120	270	240	15.4	14.3
	65A	65	175	140	8-19	18	135	130	295	255	27.8	23.0

Remark : 1.The flanges shall conform to nominal pressure 5K, 10K and 16K of JIS B2210.

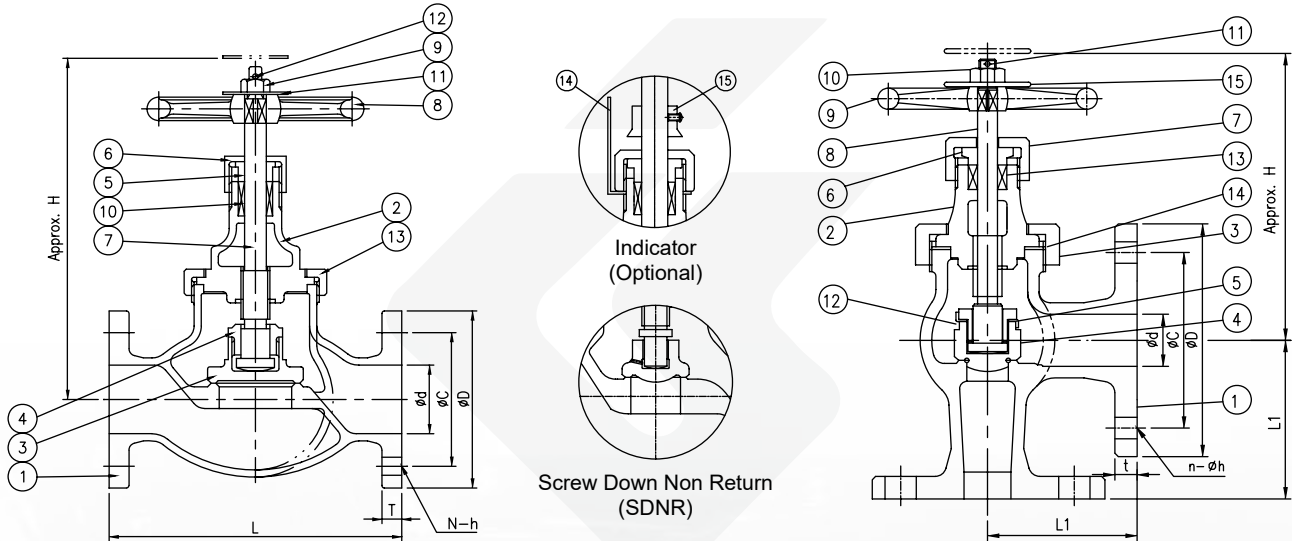
Marine Valves (Cast Bronze)

JIS 5K Globe Valves (Angle) JIS F7346 / F7347

JIS 16K Globe Valves (Angle) JIS F7348 / F7349

JIS 5K Globe Screw-Down Check Valves (Angle) JIS F7411 / F7412

JIS 16K Globe Screw-Down Check Valves (Angle) JIS F7413 / F7414



No.	PARTS	MATERIAL
1	BODY	BRONZE
2	BONNET	BRONZE / BRASS
3	DISC	BRASS
4	DISC NUT	BRASS
5	PACKING GLAND	BRASS
6	GLAND NUT	BRASS
7	STEM	BRASS
8	HANDWHEEL	CAST IRON
9	HANDLE NUT	STEEL
10	PACKING	NON ASBESTOS
11	WASHER	STEEL
12	SPLIT PIN	BRASS
13	BONNET NUT	BRONZE
14	INDICATOR PLATE	BRASS
15	INDICATOR PIECE	BRASS

No.	PARTS	MATERIAL
1	BODY	BRONZE
2	BONNET	BRONZE / BRASS
3	BONNET NUT	BRASS
4	DISC	BRASS
5	DISC NUT	BRASS
6	PACKING GLAND	BRASS
7	GLAND NUT	BRASS
8	STEM	BRASS
9	HANDWHEEL	CAST IRON
10	HEXAGON NUT	STEEL
11	SPLIT PIN	BRASS
12	DISC LOCK WASHER	BRASS
13	PACKING	NON ASBESTOS
14	GASKET	NON ASBESTOS
15	WASHER	STEEL
16	INDICATOR PLATE	BRASS
17	INDICATOR PIECE	BRASS

Dimension

(Unit:mm)

Rating	Size	ød	øD	øC	N-øh	t	L	H	Weight (kg)
JIS 5K (JIS F7346)	15A	15	80	60	4-12	9	100	155	2.21
	20A	20	85	65	4-12	10	110	165	3.04
	25A	25	95	75	4-12	10	120	185	3.97
	32A	32	115	90	4-15	12	140	195	5.23
JIS 16K (JIS F7348)	15A	15	95	70	4-15	12	110	155	2.96
	20A	20	100	75	4-15	14	120	165	3.92
	25A	25	125	90	4-19	14	130	185	5.65
	32A	32	135	100	4-19	16	160	195	7.24
40A	40	140	105	4-19	16	180	210	9.12	

Rating	Size	ød	øD	øC	N-øh	t	L1	H	Weight (kg)
JIS 5K (JIS F7347)	15A	15	80	60	4-12	9	55	145	2.15
	20A	20	85	65	4-12	10	60	155	2.94
	25A	25	95	75	4-12	10	65	175	3.82
	32A	32	115	90	4-15	12	80	175	4.99
JIS 16K (JIS F7349)	15A	15	95	70	4-15	12	70	145	2.94
	20A	20	100	75	4-15	14	75	155	3.88
	25A	25	125	90	4-19	14	85	175	5.53
	32A	32	135	100	4-19	16	95	175	6.98
40A	40	140	105	4-19	16	100	190	8.57	

Test Pressure (MPa)

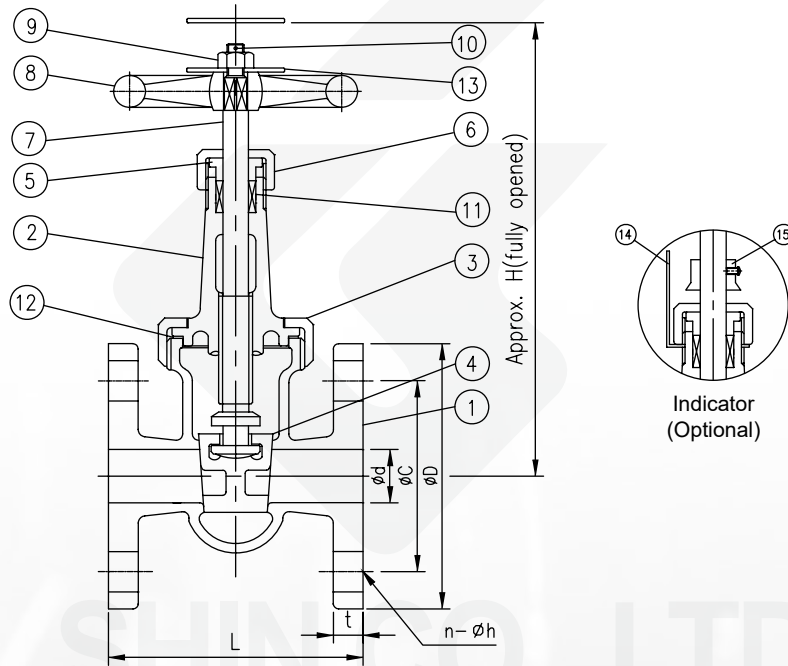
Rating	JIS 5K	JIS 16K
Hydrostatic press test (Shell)	1.03	3.24
Hydrostatic press test (Seat)	0.76	2.38

Remark : 1.The flanges shall conform to nominal pressure 5K and 16K of JIS B2240.

Marine Valves (Cast Bronze)

JIS 5K Gate Valves JIS F7367

JIS 10K Gate Valves JIS F7368



IL SHIN CO., LTD.
TOTAL SOLUTION PROVIDER

No.	PARTS	MATERIAL
1	BODY	BRONZE
2	BONNET	BRONZE
3	BONNET NUT	BRONZE
4	DISC	BRONZE
5	PACKING GLAND	BRASS
6	PACKING GLAND NUT	BRASS
7	STEM	BRASS
8	HANDWHEEL	CAST IRON
9	HEXAGON NUT	BRASS
10	SPLIT PIN	BRASS
11	PACKING	NON ASBESTOS
12	GASKET	NON ASBESTOS
13	WASHER	STEEL
14	INDICATOR PLATE	BRASS
15	INDICATOR PIECE	BRASS

Test Pressure (MPa)

Rating	JIS 5K	JIS 10K
Hydrostatic press test (Shell)	1.03	2.06
Hydrostatic press test (Seat)	0.76	1.51

Dimension

(Unit:mm)

Rating	Size	ød	øD	øC	N-øh	t	L	H	Weight (kg)
JIS 5K (JIS F7367)	15A	15	80	60	4-12	9	90	175	2.29
	20A	20	85	65	4-12	10	100	200	2.98
	25A	25	95	75	4-12	10	110	220	4.1
	32A	32	115	90	4-15	12	130	250	5.79
JIS 10K (JIS F7368)	40A	40	120	95	4-15	12	140	290	7.78
	15A	15	95	70	4-15	12	100	175	2.96
	20A	20	100	75	4-15	14	110	200	3.89
	25A	25	125	90	4-19	14	120	220	5.82
	32A	32	135	100	4-19	16	140	250	7.52
	40A	40	140	105	4-19	16	150	290	9.71

Remark : 1. The flanges shall conform to nominal pressure 5K and 10K of JIS B 2240.

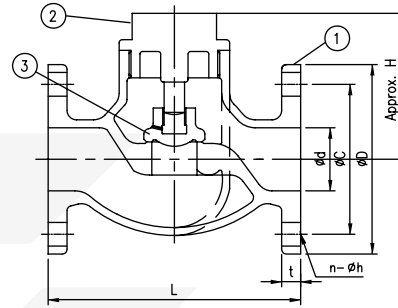
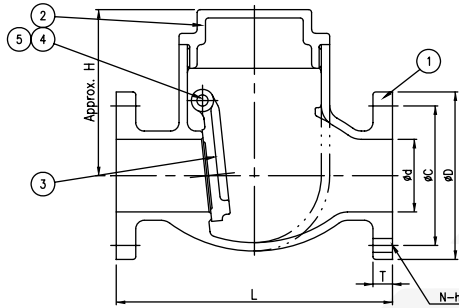
Marine Valves (Cast Bronze)

JIS 5K Swing Check Valves

JIS F7371

JIS 5K Lift Check Globe Valves

JIS F7356



Dimension

(Unit:mm)

No.	PARTS	MATERIAL
1	BODY	BRONZE
2	BONNET	BRONZE
3	DISC	BRONZE
4	HINGE PIN	BRASS
5	PLUG	BRASS / STAINLESS STEEL

Rating	Size	ød	øD	øC	N-øh	t	L	H	Weight (kg)
JIS 5K (JIS F7371)	15A	25	80	60	4-12	9	110	69	2.24
	20A	25	85	65	4-12	10	110	69	2.24
	25A	25	95	75	4-12	10	110	69	2.24
	32A	32	115	90	4-15	12	130	79	3.07
JIS 5K (JIS F7356)	40A	40	120	95	4-15	12	140	93	4.34
	15A	15	80	60	4-12	9	120	77	2.39
	20A	20	85	65	4-12	10	120	77	2.39
	25A	25	95	75	4-12	10	120	77	2.39
JIS 5K (JIS F7356)	32A	32	115	90	4-15	12	140	81	3.8
	40A	40	120	95	4-15	12	160	91	4.95

Test Pressure (MPa)

Rating	JIS 5K
Hydrostatic press test (Shell)	1.03
Hydrostatic press test (Seat)	0.76

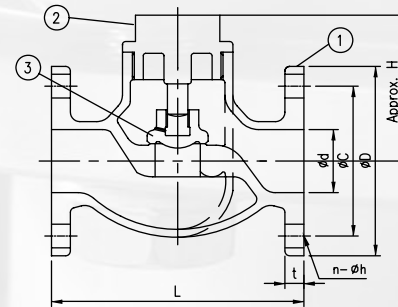
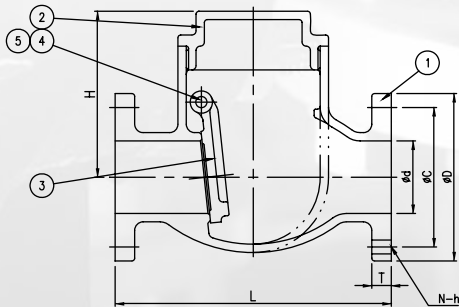
Remark : 1. The flanges shall conform to nominal pressure 5K of JIS B 2240.

JIS 10K Swing Check Valves

Ref. to JIS F7371

JIS 10K Lift Check Globe Valves

Ref. to JIS F7356



Dimension

(Unit:mm)

No.	PARTS	MATERIAL
1	BODY	BRONZE
2	BONNET	BRONZE
3	DISC	BRONZE
4	HINGE PIN	BRASS
5	PLUG	BRASS / STAINLESS STEEL

Rating	Size	ød	øD	øC	N-øh	t	L	H	Weight (kg)
JIS 10K (JIS F7371)	15A	25	95	70	4-15	12	110	69	5
	20A	25	100	75	4-15	14	110	69	5
	25A	25	125	90	4-19	14	110	69	5
	32A	32	135	100	4-19	16	130	79	7
JIS 10K (JIS F7356)	40A	40	140	105	4-19	16	140	93	9.5
	15A	15	95	70	4-15	12	110	66	-
	20A	20	100	75	4-15	14	120	71	-
	25A	25	125	90	4-19	14	130	81	-
JIS 10K (JIS F7356)	32A	32	135	100	4-19	16	160	83	-
	40A	40	140	105	4-19	16	180	91	-

Test Pressure (MPa)

Rating	JIS 10K
Hydrostatic press test (Shell)	1.03
Hydrostatic press test (Seat)	0.76

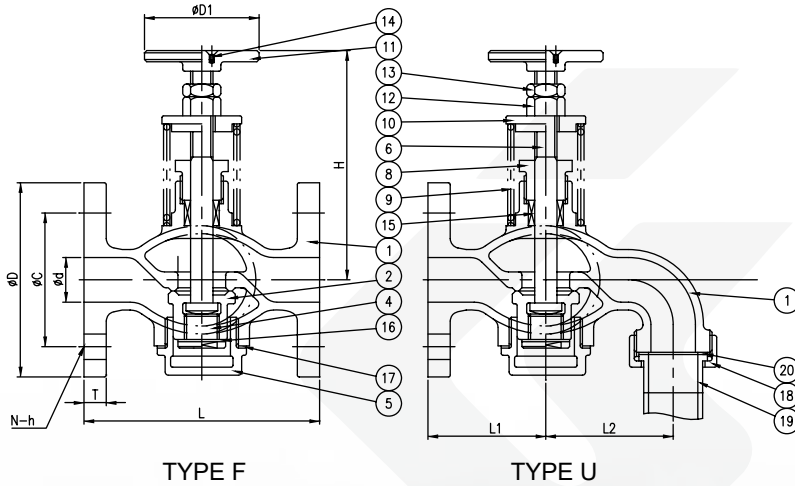
Remark : 1. The flanges of nominal diameter shall conform to JIS B 2240.

Marine Valves (Cast Bronze)

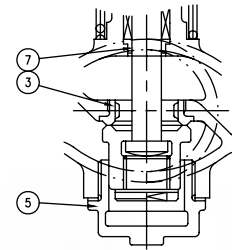
Fuel Oil Tank Self-Closing Drain Valves

JIS F7398

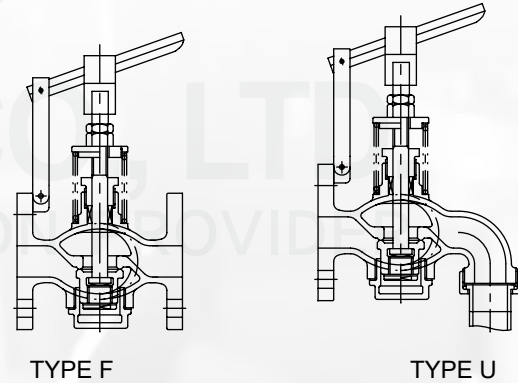
FOR NOMINAL DIA. 15 to 40 (PUSH TYPE)



FOR NOMINAL DIA. 50



FOR NOMINAL DIA. 15 to 40 (LEVER TYPE)



No.	PARTS	MATERIAL
1	BODY (15A-40A)	BRONZE
1	BODY (50A)	BRONZE / CAST STEEL
2	DISC	BRONZE
3	SEAT PING	INTEGRAL / BROZE
4	PLUG	BRONZE
5	BONNET (15A-40A)	BRONZE
5	BONNET (50A)	BRONZE / CAST STEEL
6	STEM	BRASS
7	PACKING BUSH	BRASS
8	PACKING GLAND	BRASS
9	SPRING	SWP-A
10	SPRING SUPPORT	BRONZE / STEEL
11	HANDLE	STEEL
12	NUT	BRASS
13	NUT	BRASS
14	SET SCREW	BRASS
15	PACKING	NON ASBESTOS
16	GASKET	NON ASBESTOS
17	GASKET	NON ASBESTOS
18	UNION NUT	STEEL
19	NIPPLE	STEEL
20	GASKET	NON ASBESTOS

Test Pressure (MPa)

Rating	JIS 5K/10K
Hydrostatic press test (Shell)	0.15
Hydrostatic press test (Seat)	0.11

Dimension

(Unit:mm)

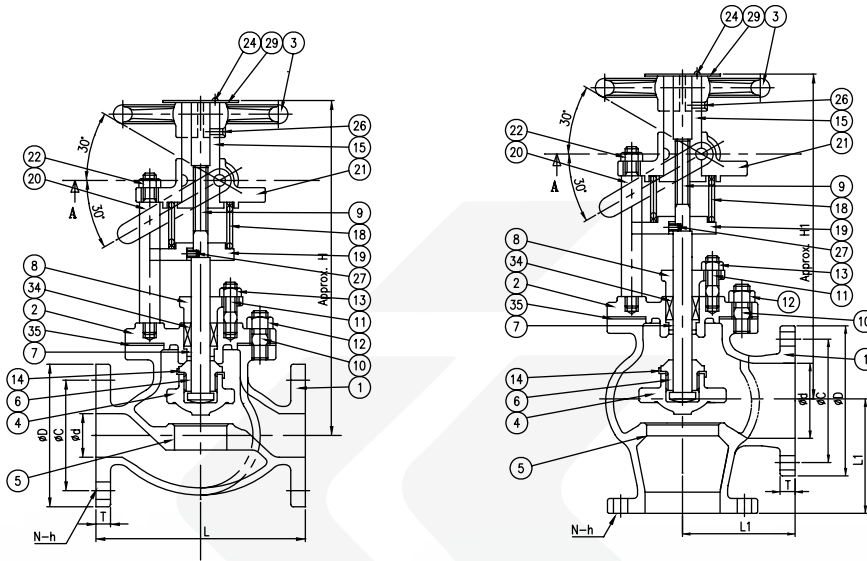
Rating	Size	ϕd	ϕD	ϕC	N- ϕh	t	L	L1	H	Weight (kg)
JIS 5K (JIS F7398)	15A	25	80	60	4-12	9	130	65	130	4.7
	20A	25	85	65	4-12	10	130	65	130	4.7
	25A	25	95	75	4-12	10	130	65	130	4.7
	32A	40	115	90	4-15	12	180	90	165	8.1
	40A	40	120	95	4-15	12	180	90	165	8.1
JIS 10K (JIS F7398)	50A	50	130	105	4-15	14	220	110	195	12.4
	15A	25	95	70	4-15	12	130	65	130	4.7
	20A	25	100	75	4-15	14	130	65	130	4.7
	25A	25	125	90	4-19	14	130	65	130	4.7
	32A	40	135	100	4-19	16	180	90	165	8.1
JIS 10K (JIS F7398)	40A	40	140	105	4-19	16	180	90	165	8.1
	50A	50	155	120	4-19	16	220	110	195	12.4

Remark : 1. The flanges of nominal diameter 15 to 50 shall conform to JIS B 2240.

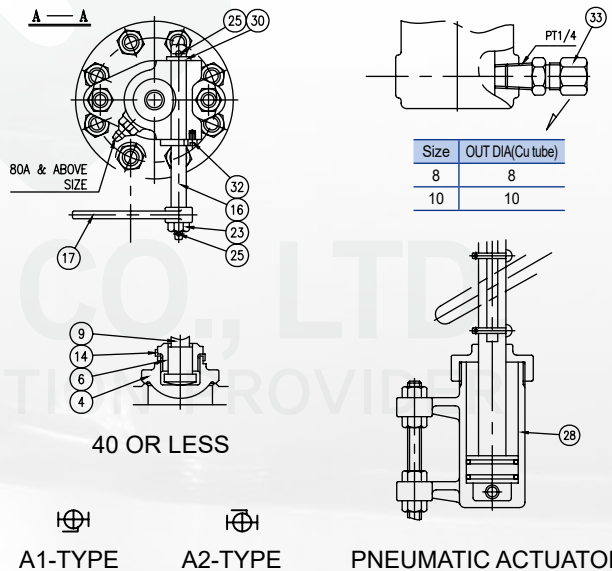
Marine Valves (Cast Bronze)

Fuel Oil Tank Emergency Shut-Off Valves

JIS F7399



No.	PARTS	MATERIAL
		15A to 250A
1	BODY	BRONZE
2	BONNET	BRONZE
3	HANDWHEEL	CAST IRON
4	DISC	BRONZE
5	BODY SEAT RING	INTEGRAL / BRONZE
6	DISC NUT	BRASS
7	BONNET BUSH	BRASS
8	PACKING GLAND	BRONZE
9	STEM	BRASS
10	BONNET BOLT	STEEL
11	PACKING BOLT	STEEL
12	BONNET NUT	STEEL
13	PACKING NUT	BRASS
14	DISC WASHER	BRASS
15	STEM BUSH	BRASS
16	SPINDLE	STAINLESS STEEL
17	LEVER	STEEL
18	SPRING	SWP-A
19	SPRING SUPPORT	BRONZE / DUCTILE IRON
20	STAY	STEEL
21	SUPPORT BUSH	BRONZE / DUCTILE IRON
22	STAY NUT	STEEL
23	NUT	STEEL
24	MACHINE SCREW	BRASS
25	SPLIT PIN	BRASS
26	MACHINE SCREW	BRASS
27	LOCK PIN	STEEL
28	PNEUMATIC CYLINDER	BRONZE / BRASS
29	NAME PLATE	BRASS
30	WASHER	STEEL
32	SET SCREW	STEEL
33	NIPPLE	BRASS
34	PACKING	NON ASBESTOS
35	BONNET GASKET	NON ASBESTOS



Dimension

(Unit:mm)

Rating	Size	ød	øD	øC	N-øh	t	L	L1	H	H1	Globe WT (kg)
JIS 10K (JIS F7399)	15A	15	95	70	4-15	12	110	65	130	265	8.5
	20A	20	100	75	4-15	14	130	85	130	265	8.5
	25A	25	125	90	4-19	14	130	85	130	265	8.5
	32A	32	135	100	4-19	16	170	100	165	310	12.7
	40A	40	140	105	4-19	16	170	100	165	310	12.7
	50A	50	155	120	4-19	16	220	120	335	335	20.9
	65A	65	175	140	4-19	18	270	130	395	395	30.5
	80A	80	185	150	8-19	18	300	140	420	420	35.4
	100A	100	210	175	8-19	18	350	160	510	510	55.6
	125A	125	250	210	8-23	20	420	180	570	570	-
150A	150	280	240	8-23	22	490	205	660	660	-	
200A	200	330	290	12-23	22	570	230	780	780	-	
250A	250	400	355	12-25	24	740	290	860	860	-	

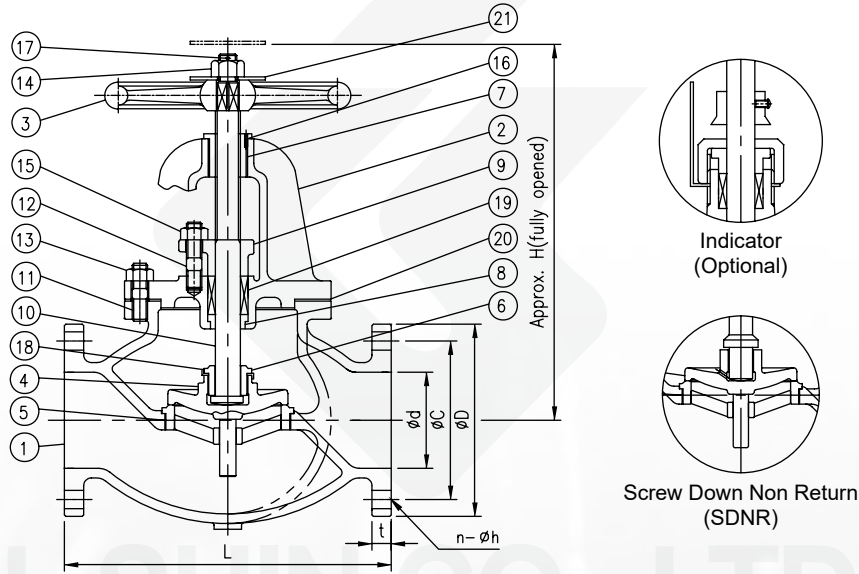
Test Pressure (MPa)

Rating	JIS 10K
Hydrostatic press test (Shell)	0.686
Hydrostatic press test (Seat)	0.196

Remark : 1. The flanges of nominal diameter 40 or less shall conform to JIS B 2240 - 10K and the flanges of nominal diameter 50 or more shall conform to JIS B 2210 - 10K, however they may conform to JIS B 2240 -5K or JIS B 2210 - 5K

Marine Valves (Cast Iron)

JIS 5K Globe Valves	JIS F7305
JIS 10K Globe Valves	JIS F7307
JIS 16K Globe Valves	JIS F7309
JIS 5K Globe Screw-Down Check Valves	JIS F7353
JIS 10K Globe Screw-Down Check Valves	JIS F7375
JIS 16K Globe Screw-Down Check Valves	JIS F7377



No.	PARTS	MATERIAL
1	BODY	CAST IRON
2	BONNET	CAST IRON
3	HANDWHEEL	CAST IRON
4	DISC	BRONZE / STAINLESS STEEL
5	VALVE SEAT	BRONZE / STAINLESS STEEL
6	DISC NUT	BRONZE / STAINLESS STEEL
7	SCREW BONNET BUSH	BRONZE / STAINLESS STEEL
8	BONNET BUSH	BRONZE / STAINLESS STEEL
9	PACKING GLAND	BRONZE
10	STEM	BRASS / STAINLESS STEEL
11	STUD BOLT	STEEL
12	STUD BOLT	STEEL
13	HEXAGON NUT	STEEL
14	HEXAGON NUT	STEEL
15	HEXAGON NUT	STEEL
16	LOCK PIN	STEEL
17	SPLIT PIN	BRASS
18	DISC LOCK WASHER	BRASS
19	PACKING	NON ASBESTOS
20	GASKET	NON ASBESTOS
21	WASHER	STEEL

Test Pressure (MPa)

Rating	JIS 5K		JIS 10K		JIS 16K
	Up to 300A	350A and 400A	Up to 200A	Over 250A	50A-200A
Size	Globe / Globe check(SDNR)				
Hydrostatic press test (Shell)	1.03	0.88	2.06	1.47	3.24
Hydrostatic press test (Seat)	0.76	0.65	1.51	1.08	2.38

Dimension

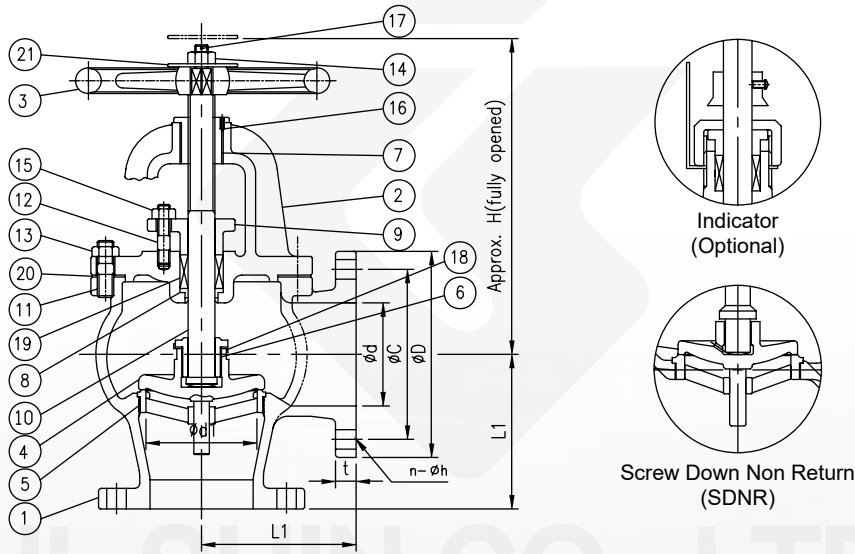
(Unit:mm)

Rating	Size	50A	65A	80A	100A	125A	150A	200A	250A	300A	350A	400A	
JIS 5K (JIS F7305) (JIS F7353)	ød	50	65	80	100	125	150	200	250	300	355	380	
	øD	130	155	180	200	235	265	320	385	430	480	540	
	øC	105	130	145	165	200	230	280	345	390	435	495	
	N-øh	4-15	4-15	4-19	8-19	8-19	8-19	8-23	12-23	12-23	12-25	16-25	
	t	16	18	18	20	20	22	24	26	28	30	30	
	L	210	250	280	340	410	480	570	740	840	940	1050	
	H	270	300	310	360	390	445	530	650	740	840	940	
	Weight	14.7	21.3	27.7	40.8	57.6	80.3	139	246	377	462	647	
	JIS 10K (JIS F7307) (JIS F7375)	ød	50	65	80	100	125	150	200	250	300		
		øD	155	175	185	210	250	280	330	400	445		
øC		120	140	150	175	210	240	290	355	400			
N-øh		4-19	4-19	8-19	8-19	8-23	8-23	12-23	12-25	16-25			
t		20	22	22	24	24	26	26	30	32			
L		220	270	300	350	420	490	570	740	840			
H		285	310	320	370	420	470	555	680	770			
Weight		19.9	28.7	32.4	48.7	73.1	104	162	304	458			
JIS 16K (JIS F7309) (JIS F7377)	ød	50	65	80	100	125	150	200					
	øD	155	175	200	225	270	305	350					
	øC	120	140	160	185	225	260	305					
	N-øh	8-19	8-19	8-23	8-23	8-25	12-25	12-25					
	t	20	22	24	26	26	28	30					
	L	220	270	300	350	430	500	570					
	H	285	310	340	385	455	510	630					
	Weight	19.6	28.3	40.4	56.9	89.5	123	188					

Remark : 1. The flanges shall conform to nominal pressure 5K, 10K and 16K of JIS B 2210.

Marine Valves (Cast Iron)

JIS 5K Angle Valves	JIS F7306
JIS 10K Angle Valves	JIS F7308
JIS 16K Angle Valves	JIS F7310
JIS 5K Angle Screw-Down Check Valves	JIS F7354
JIS 10K Angle Screw-Down Check Valves	JIS F7376
JIS 16K Angle Screw-Down Check Valves	JIS F7378



IL SHIN CO., LTD.

No.	PARTS	MATERIAL
1	BODY	CAST IRON
2	BONNET	CAST IRON
3	HANDWHEEL	CAST IRON
4	DISC	BRONZE / STAINLESS STEEL
5	VALVE SEAT	BRONZE / STAINLESS STEEL
6	DISC NUT	BRONZE / STAINLESS STEEL
7	SCREW BONNET BUSH	BRONZE / STAINLESS STEEL
8	BONNET BUSH	BRONZE / STAINLESS STEEL
9	PACKING GLAND	BRONZE
10	STEM	BRASS / STAINLESS STEEL
11	STUD BOLT	STEEL
12	STUD BOLT	STEEL
13	HEXAGON NUT	STEEL
14	HEXAGON NUT	STEEL
15	HEXAGON NUT	STEEL
16	LOCK PIN	STEEL
17	SPLIT PIN	BRASS
18	DISC LOCK WASHER	BRASS
19	PACKING	NON ASBESTOS
20	GASKET	NON ASBESTOS
21	WASHER	STEEL

Test Pressure (MPa)

Rating	JIS 5K		JIS 10K		JIS 16K
Size	Up to 300A	350A and 400A	Up to 200A	Over 250A	50A-200A
Hydrostatic press test (Shell)	1.03	0.88	2.06	1.47	3.24
Hydrostatic press test (Seat)	0.76	0.65	1.51	1.08	2.38

Dimension

(Unit:mm)

Rating	Size	50A	65A	80A	100A	125A	150A	200A	250A	300A	350A	400A
JIS 5K (JIS F7306) (JIS F7354)	ød	50	65	80	100	125	150	200	250	300	335	380
	øD	130	155	180	200	235	265	320	385	430	480	540
	øC	105	130	145	165	200	230	280	345	390	435	495
	N-øH	4-15	4-15	4-19	8-19	8-19	8-19	8-23	12-23	12-23	12-25	16-25
	t	16	18	18	20	20	22	24	26	28	30	30
	L1	100	115	130	150	170	190	220	275	310	360	395
	H	240	255	265	310	330	380	450	540	610	690	770
	Weight	12.9	18.2	23.4	33.7	46.2	63.4	105	176	243	327	459
JIS 10K (JIS F7308) (JIS F7376)	ød	50	65	80	100	125	150	200	250	300	335	380
	øD	155	175	185	210	250	280	330	400	445	490	560
	øC	120	140	150	175	210	240	290	355	400	445	510
	N-øH	4-19	4-19	8-19	8-19	8-23	8-23	12-23	12-25	16-25	16-25	16-27
	t	20	22	22	24	24	26	26	30	32	34	36
	L1	120	130	140	160	180	205	230	290	320	360	420
	H	255	270	275	315	360	405	475	570	645	710	790
	Weight	18.2	25.4	27.4	40.6	69.9	81	125	211	293	386	544
JIS 16K (JIS F7310) (JIS F7378)	ød	50	65	80	100	125	150	200				
	øD	155	175	200	225	270	305	350				
	øC	120	140	160	185	225	260	305				
	N-øH	8-19	8-19	8-23	8-23	8-25	12-25	12-25				
	t	20	22	24	26	26	28	30				
	L1	120	130	150	170	200	225	250				
	H	255	270	295	330	390	435	540				
	Weight	18	25	35.7	49.2	76.1	103	155				

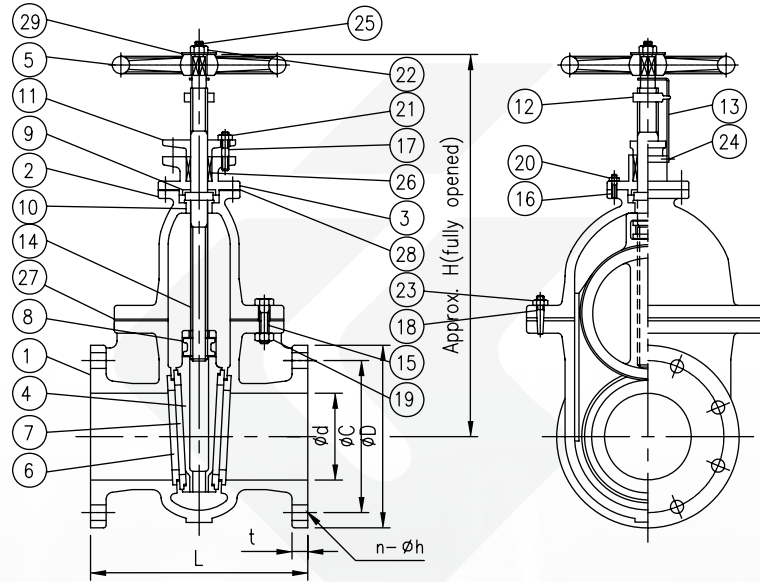
Remark : 1. The flanges shall conform to nominal pressure 5K, 10K and 16K of JIS B 2210.

Marine Valves (Cast Iron)

JIS 5K Gate Valves JIS F7363

JIS 10K Gate Valves JIS F7364

JIS 16K Gate Valves JIS F7369



No.	PARTS	MATERIAL
1	BODY	CAST IRON
2	BONNET	CAST IRON
3	STUFFING BOX	CAST IRON
4	DISC	CAST IRON
5	HANDWHEEL	CAST IRON
6	VALVE SEAT OF BODY	BRONZE / STAINLESS STEEL
7	VALVE SEAT OF DISC	BRONZE / STAINLESS STEEL
8	SCREWED PLECE	BRONZE / STAINLESS STEEL
9	GUIDE BUSH	BRONZE / STAINLESS STEEL
10	GUIDE BUSH	BRONZE / STAINLESS STEEL
11	PACKING GLAND	BRONZE
12	INDICATOR	BRASS
13	INDICATOR PLATE	BRASS
14	STEM	BRASS / STANLESS STEEL
15	STUD BOLT	STEEL
16	STUD BOLT	STEEL
17	STUD BOLT	STEEL
18	TAPER PIN WITH THREAD	STAINLESS STEEL
19	HEXAGON NUT	STEEL
20	HEXAGON NUT	STEEL
21	HEXAGON NUT	STEEL
22	HEXAGON NUT	STEEL
23	HEXAGON NUT	STEEL
24	MACHINE SCREW	STEEL
25	SPLIT PIN	BRASS
26	PACKING	NON ASBESTOS
27	GASKET	NON ASBESTOS
28	GASKET	NON ASBESTOS
29	WASHER	STEEL

Test Pressure (MPa)

Rating	JIS 5K		JIS 10K		JIS 16K
Size	Up to 400A	450A to 600A	Up to 400A	450A to 600A	300-400A
Hydrostatic press test (Shell)	1.03	0.74	2.06	1.77	2.36
Hydrostatic press test (Seat)	0.76	0.54	1.57	1.29	1.73

Dimension

(Unit:mm)

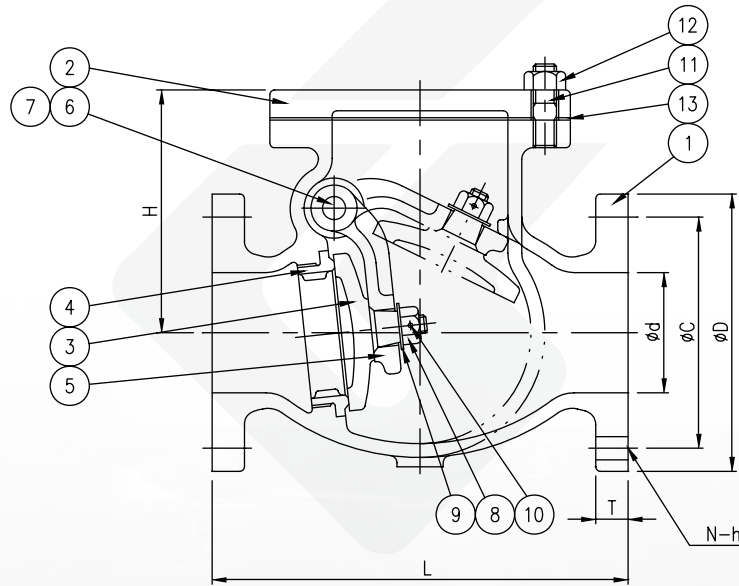
Rating	Size	50A	65A	80A	100A	125A	150A	200A	250A	300A	350A	400A			
JIS 5K (JIS F7363)	ϕd	50	65	80	100	125	150	200	250	300	335	380			
	ϕD	130	155	180	200	235	265	320	385	430	480	540			
	ϕC	105	130	145	165	200	230	280	345	390	435	495			
	N- ϕh	4-15	4-15	4-19	8-19	8-19	8-19	8-23	12-23	12-23	12-23	16-25			
	t	16	18	18	20	20	22	24	26	28	30	30			
	L	180	190	200	230	250	270	290	330	370	410	470			
	H	285	330	380	430	495	560	680	800	920	1000	1100			
	Weight	13.5	19.6	24.2	35.3	48.1	65.3	103	164	236	307	405			
	JIS 10K (JIS F7364)	ϕd	50	65	80	100	125	150	200	250	300	335	380		
		ϕD	155	175	185	210	250	280	330	400	445	490	560		
ϕC		120	140	150	175	210	240	290	355	400	445	510			
N- ϕh		4-19	4-19	8-19	8-19	8-23	8-23	12-23	12-25	16-25	16-25	16-27			
t		20	22	22	24	24	26	26	30	32	34	36			
L		200	220	230	250	270	290	320	380	440	500	590			
H		300	350	400	450	520	580	700	840	960	1050	1150			
Weight		19.4	27.6	33	45.8	65.9	86	136	230	331	433	597			
JIS 16K (JIS F7369)		ϕd											300	335	380
		ϕD											480	540	605
	ϕC											430	480	540	
	N- ϕh											16-27	16-33	16-33	
	t											36	38	42	
	L											490	540	610	
H											1010	1070	1185		
Weight											430	580	780		

Remark : 1. The flanges shall conform to nominal pressure 5K, 10K and 16K of JIS B 2210.

Marine Valves (Cast Iron)

JIS 5K Swing Check Valves JIS F7372

JIS 10K Swing Check Valves JIS F7373



IL SHIN CO., LTD.
TOTAL SOLUTION PROVIDER

No.	PARTS	MATERIAL
1	BODY	CAST IRON
2	BONNET	CAST IRON
3	DISC	BRONZE
4	BODY SEAT RING	BRONZE
5	ARM	BRONZE
6	HINGE PIN	BRONZE
7	PLUG	BRONZE
8	DISC NUT	BRONZE
9	WASHER	BRASS
10	SPLIT PIN	BRASS
11	BONNET BOLT	STEEL
12	BONNET NUT	STEEL
13	GASKET	NON ASBESTOS

Test Pressure (MPa)

Nominal dia.	JIS 5K	JIS 10K
Hydrostatic press test (Shell)	1.03	2.06
Hydrostatic press test (Seat)	0.76	1.51

Dimension

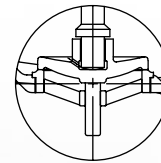
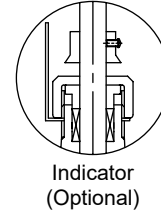
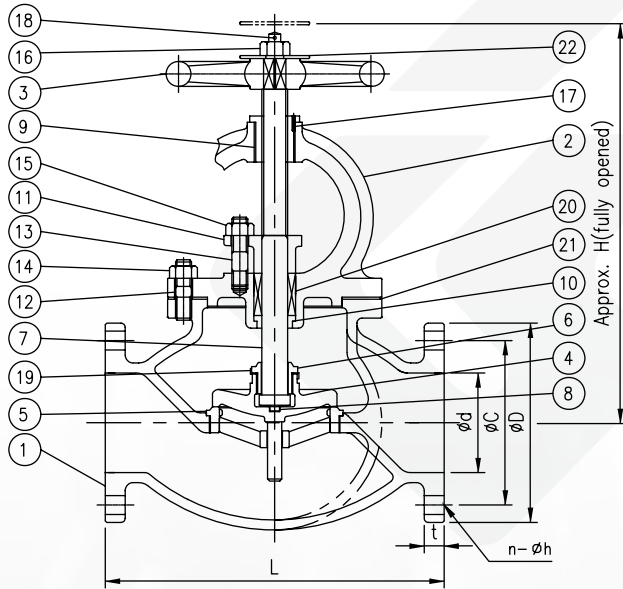
(Unit:mm)

Rating	Size	50A	65A	80A	100A	125A	150A	200A	250A	
JIS 5K (JIS F7372)	ød	50	65	80	100	125	150	200	250	
	øD	130	155	180	200	235	265	320	385	
	øC	105	130	145	165	200	230	280	345	
	N-øh	4-15	4-15	4-19	8-19	8-19	8-19	8-23	12-23	
	t	16	18	18	20	20	22	24	26	
	L	190	220	250	280	330	380	460	550	
	H	97	119	129	146	171	198	235	290	
	Weight	9.06	13.9	19.1	27.1	29.0	53.7	94.4	150	
	JIS 10K (JIS F7373)	ød	50	65	80	100	125	150	200	
		øD	155	175	185	210	250	280	330	
øC		120	140	150	175	210	240	290		
N-øh		4-19	4-19	8-19	8-19	8-23	8-23	12-23		
t		20	22	22	24	24	26	26		
L		210	240	270	300	350	400	480		
H		109	126	136	153	180	205	242		
Weight	13.6	19.6	22.6	30.9	49.2	64.9	103			

Remark : 1. The flanges shall conform to nominal pressure 5K, 10K of JIS B 2210.

Marine Valves (Cast Steel)

JIS 10K Globe Valves	JIS F7319
JIS 20K Globe Valves	JIS F7313
JIS 10K Globe Screw-Down Check Valves	JIS F7471
JIS 20K Globe Screw-Down Check Valves	JIS F7473



IL SHIN CO., LTD.
TOTAL SOLUTION PROVIDER

No.	PARTS	MATERIAL
1	BODY	CAST STEEL
2	BONNET	CAST STEEL
3	HANDWHEEL	CAST IRON
4	DISC	BRONZE / STAINLESS STEEL
5	VALVE SEAT	BRONZE / STAINLESS STEEL
6	PACKING BUSH	BRONZE / STAINLESS STEEL
7	STEM	BRASS / STAINLESS STEEL
8	WASHER FOR STEM	BRONZE / STAINLESS STEEL
9	BONNET BUSH	BRASS
10	PACKING BUSH	STAINLESS STEEL
11	PACKING GLAND	BRONZE
12	STUD BOLT	STEEL
13	STUD BOLT	STEEL
14	HEXAGON NUT	STEEL
15	HEXAGON NUT	STEEL
16	HEXAGON NUT	STEEL
17	LOCK PIN	STEEL
18	SPLIT PIN	BRASS
19	DISC LOCK WASHER	BRASS / STAINLESS STEEL
20	PACKING	NON ASBESTOS
21	GASKET	NON ASBESTOS
22	WASHER	STEEL

Test Pressure (MPa)

Rating	JIS 10K	JIS 20K
Hydrostatic press test (Shell)	2.06	5.0
Hydrostatic press test (Seat)	1.51	3.67

Dimension

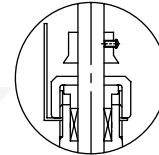
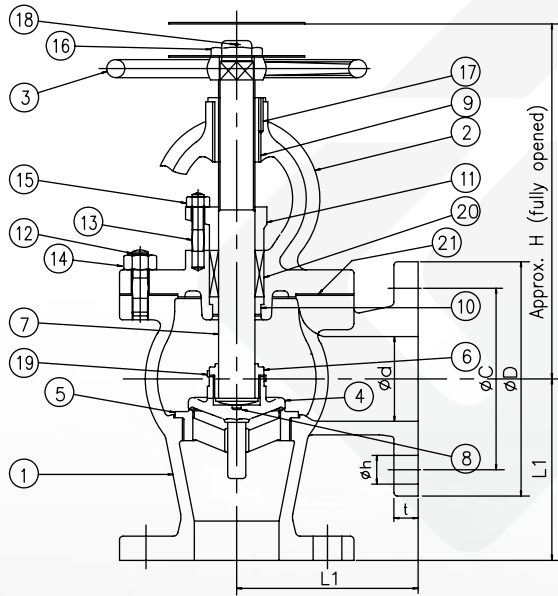
(Unit:mm)

Rating	Size	50A	65A	80A	100A	125A	150A	200A	250A	300A	
JIS 10K (JIS F7319) (JIS F7471)	ød	50	65	80	100	125	150	200	250	300	
	øD	155	175	185	210	250	280	330	400	445	
	øC	120	140	150	175	210	240	290	355	400	
	N-øh	4-19	4-19	8-19	8-19	8-23	8-23	12-23	12-25	16-25	
	t	16	18	18	18	20	22	22	24	24	
	L	220	270	300	350	420	490	570	740	840	
	H	270	300	310	355	415	470	565	645	735	
	Weight	17.9	26.0	29.8	44.7	70.3	96.4	159	257	370	
Rating	Size	32A	40A	50A	65A	80A	100A	125A	150A	200A	250A
JIS 20K (JIS F7313) (JIS F7473) (RF)	ød	32	40	50	65	80	100	125	150	200	250
	øD	135	140	155	175	200	225	270	305	350	430
	øC	100	105	120	140	160	185	225	260	305	380
	N-øh	4-19	4-19	8-19	8-19	8-23	8-23	8-25	12-25	12-25	12-27
	t	18	18	18	20	22	24	26	28	30	34
	L	190	200	230	270	300	350	430	500	560	660
	H	270	290	305	345	385	440	500	550	630	725
	Weight	14.4	16.0	21.6	30.4	43.5	62.3	95.7	133.3	296.1	339.1

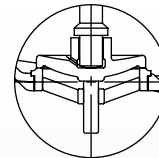
Remark : 1. The flanges shall conform to nominal pressure 10K and 20K of JIS B 2210.

Marine Valves (Cast Steel)

JIS 10K Angle Valves	JIS F7320
JIS 20K Angle Valves	JIS F7314
JIS 10K Angle Screw-Down Check Valves	JIS F7472
JIS 20K Angle Screw-Down Check Valves	JIS F7474



Indicator
(Optional)



Screw Down Non Return
(SDNR)

IL SHIN CO., LTD.
SOLUTION PROVIDER

No.	PARTS	MATERIAL
1	BODY	CAST STEEL
2	BONNET	CAST STEEL
3	HANDWHEEL	CAST IRON
4	DISC	BRONZE / STAINLESS STEEL
5	VALVE SEAT	BRONZE / STAINLESS STEEL
6	PACKING BUSH	BRONZE / STAINLESS STEEL
7	STEM	BRASS / STAINLESS STEEL
8	WASHER FOR STEM	BRONZE / STAINLESS STEEL
9	BONNET BUSH	BRASS
10	PACKING BUSH	STAINLESS STEEL
11	PACKING GLAND	BRONZE
12	STUD BOLT	STEEL
13	STUD BOLT	STEEL
14	HEXAGON NUT	STEEL
15	HEXAGON NUT	STEEL
16	HEXAGON NUT	STEEL
17	LOCK PIN	STEEL
18	SPLIT PIN	BRASS
19	DISC LOCK WASHER	BRASS / STAINLESS STEEL
20	PACKING	NON ASBESTOS
21	GASKET	NON ASBESTOS

Test Pressure (MPa)

Rating	JIS 10K	JIS 20K
Hydrostatic press test (Shell)	2.06	5.0
Hydrostatic press test (Seat)	1.51	3.67

Dimension

(Unit:mm)

Rating	Size	50A	65A	80A	100A	125A	150A	200A	250A	300A	
JIS 10K (JIS F7320) (JIS F7472)	ød	50	65	80	100	125	150	200	250	300	
	øD	155	175	185	210	250	280	330	400	445	
	øC	120	140	150	175	210	240	290	355	400	
	N-øh	4-19	4-19	8-19	8-19	8-23	8-23	12-23	12-25	12-15	
	t	16	18	18	18	20	22	22	24	24	
	L1	120	130	140	160	180	205	230	290	320	
	H	240	260	265	300	350	400	480	535	610	
	Weight	16.3	23.0	25.3	37.0	57.1	77.2	116	188	256	
	JIS 20K (JIS F7314) (JIS F7474) (RF)	ød	32	40	50	65	80	100	125	150	200
		øD	135	140	155	175	200	225	270	305	350
øC		100	105	120	140	160	185	225	260	305	
N-øh		4-19	4-19	8-19	8-19	8-23	8-23	8-25	12-25	12-25	
t		18	18	18	20	22	24	26	28	30	
L1		100	110	125	135	150	170	200	225	280	
H		250	265	275	305	340	385	440	485	540	
Weight		13.0	15.2	20.2	26.9	38.9	54.4	80.7	112.3	183.6	

Remark : 1. The flanges shall conform to nominal pressure 10K and 20K of JIS B 2210.

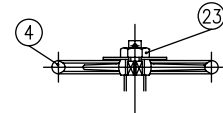
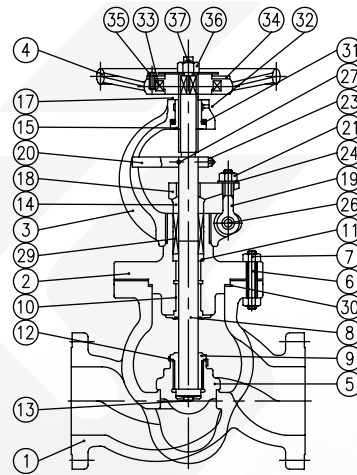
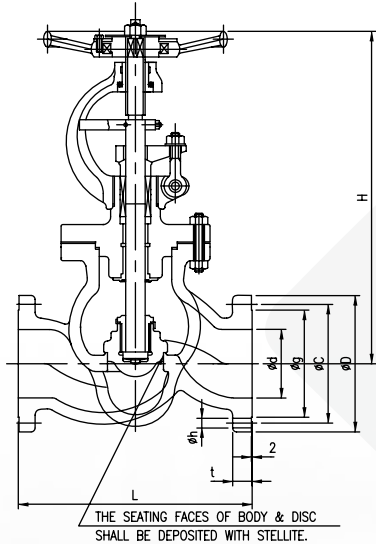
Marine Valves (Cast Steel)

JIS 30K Globe Valves JIS F7315

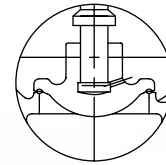
JIS 40K Globe Valves JIS F7317

JIS 30K Globe Screw-Down Check Valves Ref. to JIS F7315

JIS 40K Globe Screw-Down Check Valves Ref. to JIS F7317



For nominal dia 32 to 80



Screw Down Non Return (SDNR)

No.	PARTS	MATERIAL
1	BODY	CAST STEEL
2	BONNET	CAST STEEL
3	YOKE	CAST STEEL
4	HANDWHEEL	CAST IRON
5	DISC	STAINLESS STEEL
6	STUD BOLT	CARBON STEEL
7	HEXAGON NUT	CARBON STEEL
8	STEM	STAINLESS STEEL
9	PACKING BUSH	STAINLESS STEEL
10	BACK SEAT RING	STAINLESS STEEL
11	DISC LOCK	STAINLESS STEEL
12	WASHER	STAINLESS STEEL
13	WASHER FOR STEM	STAINLESS STEEL
14	PACKING GLAND RING	STAINLESS STEEL
15	SCREWED BUSH	BRASS
17	WASHER	BRONZE
18	PACKING GLAND	CARBON STEEL
19	HINGE BOLT	CARBON STEEL
20	STOPPER FOR STEM	CARBON STEEL
21	HEXAGON NUT	STEEL
23	HEXAGON NUT	STEEL
24	WASHER	STEEL
26	PIN	CARBON STEEL
27	TAPER PIN	CARBON STEEL
29	PACKING	NON ASBESTOS
30	GASKET	NON ASBESTOS
31	THRUST BALL BEARING	
32	GREASE NIPPLE	
33	POUNDING RECEIVER	CARBON STEEL
34	HANDWHEEL COVER	STEEL
35	HANDWHEEL COVER	STEEL
36	HEXAGON NUT	STEEL
37	SPLIT PIN	BRASS

Test Pressure (MPa)

Rating	JIS 30K	JIS 40K
Hydrostatic press test (Shell)	6.76	9.12
Hydrostatic press test (Seat)	4.96	6.69

Dimension

(Unit:mm)

Rating	Size	32A	40A	50A	65A	80A	100A	125A	150A
JIS 30K (JIS F7315) (RF)	ød						100	125	150
	øD						240	275	325
	øC						195	230	275
	øg						160	195	235
	N-øh						8-25	8-25	12-27
	t						32	36	38
	L						410	460	500
	H						575	670	755
	Weight						115	168	242
	JIS 40K (JIS F7317) (RF)	ød	32	38	50	62	75	100	120
øD		140	160	165	200	210	250	300	355
øC		105	120	130	160	170	205	250	295
øg		80	90	105	130	140	165	200	240
N-øh		4-19	4-23	8-19	8-23	8-23	8-25	8-27	12-33
t		24	24	26	30	32	36	40	44
L		229	241	292	330	356	432	508	559
H		370	395	435	490	540	640	720	815
Weight		25.4	30.2	41.0	62.3	79.0	140	197	298

Remark : 1. The flanges shall conform to nominal pressure 30K and 40K of JIS B 2210.

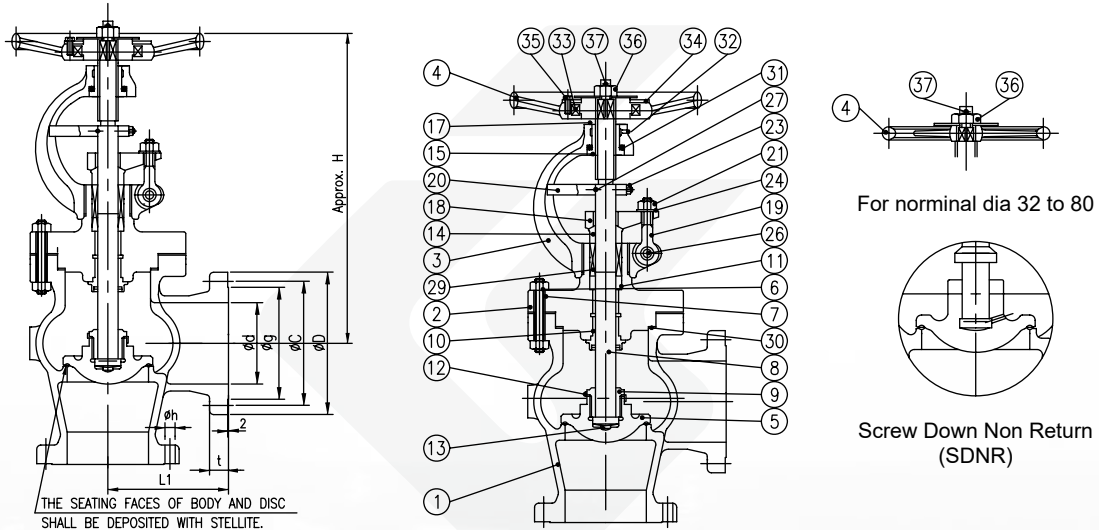
Marine Valves (Cast Steel)

JIS 30K Angle Valves JIS F7316

JIS 40K Angle Valves JIS F7318

JIS 30K Angle Screw-Down Check Valves Ref. to JIS F7316

JIS 40K Angle Screw-Down Check Valves Ref. to JIS F7318



No.	PARTS	MATERIAL
1	BODY	CAST STEEL
2	BONNET	CAST STEEL
3	YOKE	CAST STEEL
4	HANDWHEEL	CAST IRON
5	DISC	STAINLESS STEEL
6	STUD BOLT	CARBON STEEL
7	HEXAGON NUT	CARBON STEEL
8	STEM	STAINLESS STEEL
9	PACKING BUSH	STAINLESS STEEL
10	BACK SEAT RING	STAINLESS STEEL
11	DISC LOCK	STAINLESS STEEL
12	WASHER	STAINLESS STEEL
13	WASHER FOR STEM	STAINLESS STEEL
14	PACKING GLAND RING	STAINLESS STEEL
15	SCREWED BUSH	BRASS
17	WASHER	BRONZE
18	PACKING GLAND	CARBON STEEL
19	HINGE BOLT	CARBON STEEL
20	STOPPER FOR STEM	CARBON STEEL
21	HEXAGON NUT	STEEL
23	HEXAGON NUT	STEEL
24	WASHER	STEEL
26	PIN	CARBON STEEL
27	TAPER PIN	CARBON STEEL
29	PACKING	NON ASBESTOS
30	GASKET	NON ASBESTOS
31	THRUST BALL BEARING	
32	GREASE NIPPLE	
33	POUNDING RECEIVER	CARBON STEEL
34	HANDWHEEL COVER	STEEL
35	HANDWHEEL COVER	STEEL
36	HEXAGON NUT	STEEL
37	SPLIT PIN	BRASS

Dimension

(Unit:mm)

Rating	Size	32A	40A	50A	65A	80A	100A	125A	150A
JIS 30K (JIS F7316) (RF)	ød						100	125	150
	øD						240	275	325
	øC						195	230	275
	øg						160	195	235
	N-øh						8-25	8-25	12-27
	t						32	36	38
	L1						205	230	250
	H						530	615	690
	Weight						106	154	223

Rating	Size	32A	40A	50A	65A	80A	100A	125A	150A
JIS 40K (JIS F7318) (RF)	ød	32	38	50	62	75	100	120	145
	øD	140	160	165	200	210	250	300	355
	øC	105	120	130	160	170	205	250	295
	øg	80	90	105	130	140	165	200	240
	N-øh	4-19	4-23	8-19	8-23	8-23	8-25	8-27	12-33
	t	24	24	26	30	32	36	40	44
	L1	114	121	146	165	178	216	254	279
	H	350	370	405	455	500	590	660	740
	Weight	24.9	29.4	40.0	60.3	76.2	135	189	284

Test Pressure (MPa)

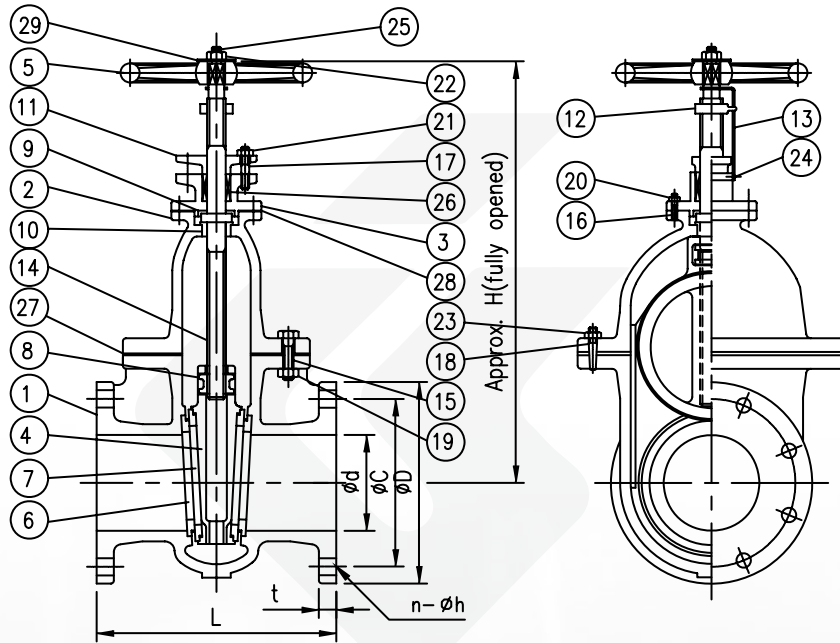
Rating	JIS 30K	JIS 40K
Hydrostatic press test (Shell)	6.76	9.12
Hydrostatic press test (Seat)	4.96	6.69

Remark : 1. The flanges shall conform to nominal pressure 30K and 40K of JIS B 2210.

Marine Valves (Cast Steel)

JIS 10K Gate Valves

JIS F7366



No.	PARTS	MATERIAL
1	BODY	CAST STEEL
2	BONNET	CAST STEEL
3	STUFFING BOX	CAST STEEL
4	DISC	CAST STEEL
5	HANDWHEEL	CAST IRON
6	VALVE SEAT OF BODY	BRONZE / STAINLESS STEEL
7	VALVE SEAT OF DISC	BRONZE / STAINLESS STEEL
8	SCREWED PIECE	BRONZE
9	GUIDE BUSH	BRONZE
10	GUIDE BUSH	BRONZE
11	PACKING GLAND	BRONZE
12	INDICATOR	BRASS
13	INDICATOR PLATE	BRASS
14	STEM	BRASS / STAINLESS STEEL
15	STUD BOLT	STEEL
16	STUD BOLT	STEEL
17	STUD BOLT	STEEL
18	TAPER PIN WITH THREAD	STAINLESS STEEL
19	HEXAGON NUT	STEEL
20	HEXAGON NUT	STEEL
21	HEXAGON NUT	STEEL
22	HEXAGON NUT	STEEL
23	HEXAGON NUT	STEEL
24	MACHINE SCREW	STEEL
25	SPLIT PIN	BRASS
26	PACKING	NON ASBESTOS
27	GASKET	NON ASBESTOS
28	GASKET	NON ASBESTOS
29	WASHER	STEEL

Test Pressure (MPa)

Rating	JIS 10K
Hydrostatic press test (Shell)	2.06
Hydrostatic press test (Seat)	1.51

Dimension

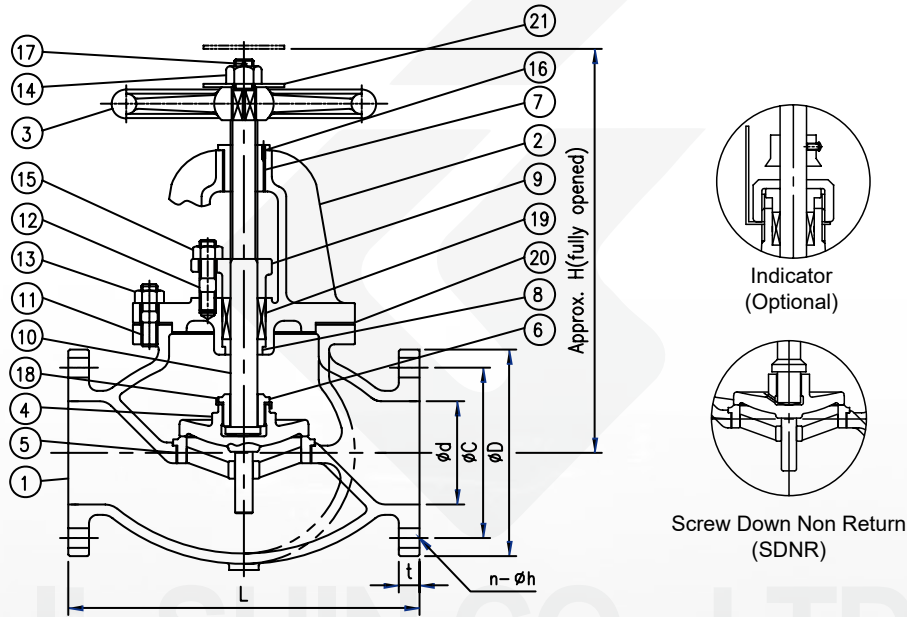
(Unit:mm)

Rating	Size	50A	65A	80A	100A	125A	150A	200A	250A	300A	350A	400A
JIS 10K (JIS F7366)	ød	50	65	80	100	125	150	200	250	300	335	380
	øD	155	175	185	210	250	280	330	400	445	490	560
	øC	120	140	150	175	210	240	290	355	400	445	510
	N-øh	4-19	4-19	8-19	8-19	8-23	8-23	12-23	12-25	16-25	16-25	16-27
	t	16	18	18	18	20	22	22	24	24	26	28
	L	200	220	230	250	270	290	310	340	380	420	480
	H	300	350	400	450	520	580	700	840	960	1050	1150
	Weight	17.1	26.5	31.5	44.9	63.2	82.3	130	203	291	368	507

Remark : 1. The flanges shall conform to nominal pressure 10K of JIS B 2210.

Marine Valves (Cast Steel)

- JIS 5K Globe Valves Ref. to JIS F7305
 JIS 16K Globe Valves Ref. to JIS F7309
 JIS 5K Globe Screw-Down Check Valves Ref. to JIS F7353
 JIS 16K Globe Screw-Down Check Valves Ref. to JIS F7377



No.	PARTS	MATERIAL
1	BODY	CAST STEEL
2	BONNET	CAST STEEL
3	HANDWHEEL	CAST IRON
4	DISC	BRONZE / STAINLESS STEEL
5	VALVE SEAT	BRONZE / STAINLESS STEEL
6	DISC NUT	BRONZE / STAINLESS STEEL
7	SCREW BONNET BUSH	BRONZE / STAINLESS STEEL
8	BONNET BUSH	BRONZE / STAINLESS STEEL
9	PACKING GLAND	BRONZE
10	STEM	BRASS / STAINLESS STEEL
11	STUD BOLT	STEEL
12	STUD BOLT	STEEL
13	HEXAGON NUT	STEEL
14	HEXAGON NUT	STEEL
15	HEXAGON NUT	STEEL
16	LOCK PIN	STEEL
17	SPLIT PIN	BRASS
18	DISC LOCK WASHER	BRASS
19	PACKING	NON ASBESTOS
20	GASKET	NON ASBESTOS
21	WASHER	STEEL

Test Pressure (MPa)

Rating	JIS 5K		JIS 16K
	Up to 300A	350A to 400A	50A-200A
Globe / globe check(SDNR)			
Hydrostatic press test (Shell)	1.03	0.88	3.24
Hydrostatic press test (Seat)	0.76	0.65	2.38

Dimension

(Unit:mm)

Rating	Size	50A	65A	80A	100A	125A	150A	200A	250A	300A	350A	400A	
JIS 5K (JIS F7305) (JIS F7353)	ød	50	65	80	100	125	150	200	250	300	335	380	
	øD	130	155	180	200	235	265	320	385	430	480	540	
	øC	105	130	145	165	200	230	280	345	390	435	495	
	N-øh	4-15	4-15	4-19	8-19	8-19	8-19	8-23	12-23	12-23	12-25	16-25	
	t	16	18	18	20	20	22	24	26	28	30	30	
	L	210	250	280	340	410	480	570	740	840	940	1050	
	H	270	300	310	360	390	445	530	650	740	840	940	
	Weight	15.93	23.07	30	44.19	62.39	86.97	150.54	266.42	408.3	500.35	700.7	
	JIS 16K (JIS F7309) (JIS F7377)	ød	50	65	80	100	125	150	200				
		øD	155	175	200	225	270	305	350				
øC		120	140	160	185	225	260	305					
N-øh		8-19	8-19	8-23	8-23	8-25	12-25	12-25					
t		20	22	24	26	26	28	30					
L		220	270	300	350	430	500	570					
H		285	310	340	385	455	510	630					
Weight	21.23	30.65	43.75	61.63	96.93	133.21	203.60						

Remark : 1. The flanges shall conform to nominal pressure 5K and 16K of JIS B 2210.

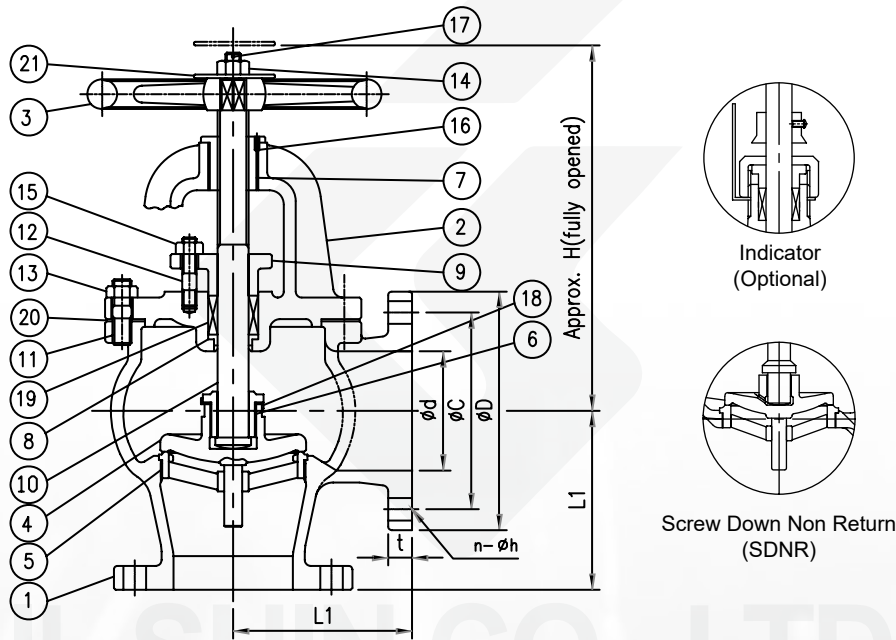
Marine Valves (Cast Steel)

JIS 5K Angle Valves Ref. to JIS F7306

JIS 16K Angle Valves Ref. to JIS F7310

JIS 5K Angle Screw-Down Check Valves Ref. to JIS F7354

JIS 16K Angle Screw-Down Check Valves Ref. to JIS F7378



IL SHIN CO., LTD.
TOTAL SOLUTION PROVIDER

No.	PARTS	MATERIAL
1	BODY	CAST STEEL
2	BONNET	CAST STEEL
3	HANDWHEEL	CAST IRON
4	DISC	BRONZE / STAINLESS STEEL
5	VALVE SEAT	BRONZE / STAINLESS STEEL
6	DISC NUT	BRONZE / STAINLESS STEEL
7	SCREW BONNET BUSH	BRONZE / STAINLESS STEEL
8	BONNET BUSH	BRONZE / STAINLESS STEEL
9	PACKING GLAND	BRONZE
10	STEM	BRASS / STAINLESS STEEL
11	STUD BOLT	STEEL
12	STUD BOLT	STEEL
13	HEXAGON NUT	STEEL
14	HEXAGON NUT	STEEL
15	HEXAGON NUT	STEEL
16	LOCK PIN	STEEL
17	SPLIT PIN	BRASS
18	DISC LOCK WASHER	BRASS
19	PACKING	NON ASBESTOS
20	GASKET	NON ASBESTOS
21	WASHER	STEEL

Test Pressure (MPa)

Rating	JIS 5K		JIS 16K
Size	Up to 300A	350A to 400A	50A-200A
	Globe / Globe check(SDNR)		
Hydrostatic press test (Shell)	1.03	0.88	3.24
Hydrostatic press test (Seat)	0.76	0.65	2.38

Dimension

(Unit:mm)

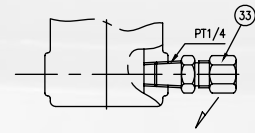
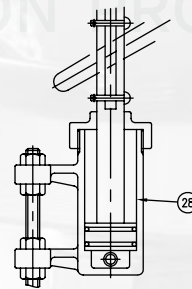
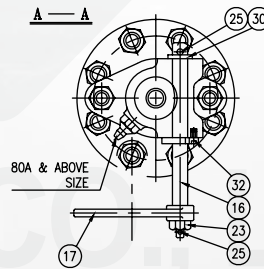
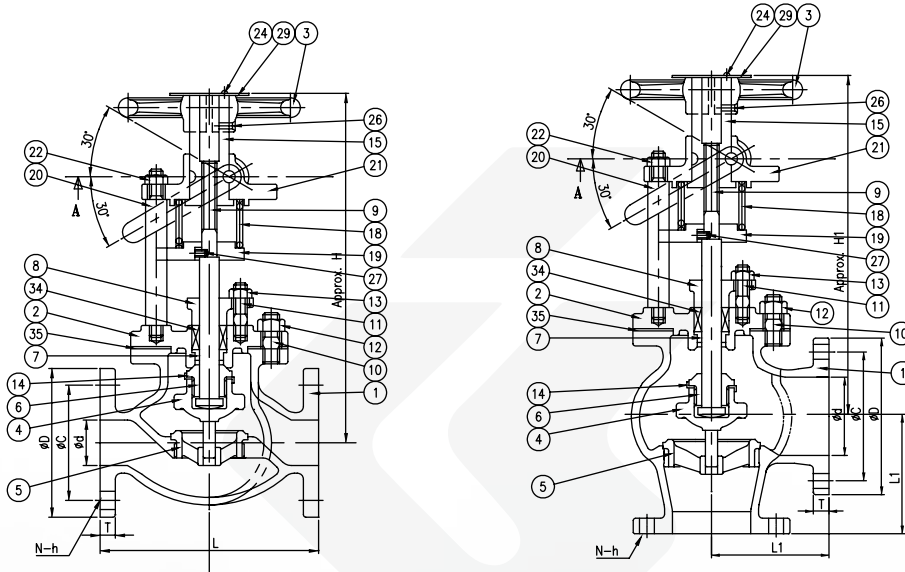
Rating	Size	50A	65A	80A	100A	125A	150A	200A	250A	300A	350A	400A	
JIS 5K (JIS F7306) (JIS F7354)	ød	50	65	80	100	125	150	200	250	300	335	380	
	øD	130	155	180	200	235	265	320	385	430	480	540	
	øC	105	130	145	165	200	230	280	345	390	435	495	
	N-øh	4-15	4-15	4-19	8-19	8-19	8-19	8-23	12-23	12-23	12-25	16-25	
	t	16	18	18	20	20	22	24	26	28	30	30	
	L1	100	115	130	150	170	190	220	275	310	360	395	
	H	240	255	265	310	330	380	450	540	610	690	770	
	Weight	13.98	19.72	25.35	36.5	50.04	68.67	113.72	190.6	263.17	354.15	497.1	
	JIS 16K (JIS F7310) (JIS F7378)	ød	50	65	80	100	125	150	200				
		øD	155	175	200	225	270	305	350				
øC		120	140	160	185	225	260	305					
N-øh		8-19	8-19	8-23	8-23	8-25	12-25	12-25					
t		20	22	24	26	26	28	30					
L1		120	130	150	170	200	225	250					
H		255	270	295	330	390	435	540					
Weight	19.5	27.08	38.67	53.29	82.42	111.55	167.87						

Remark : 1. The flanges shall conform to nominal pressure 5K and 10K and 16K of JIS B 2210.

Marine Valves (Cast Steel)

Fuel Oil Tank Emergency Shut-Off Valves

JIS F7399



Size	OUT DIA(Cu tube)
8	8
10	10

PNEUMATIC ACTUATOR

A1-TYPE A2-TYPE

No.	PARTS	MATERIAL
1	BODY	CAST STEEL
2	BONNET	CAST STEEL
3	HANDWHEEL	CAST IRON
4	DISC	STAINLESS STEEL
5	BODY SEAT RING	STAINLESS STEEL
6	DISC NUT	STAINLESS STEEL
7	BONNET BUSH	BRASS
8	PACKING GLAND	BRONZE
9	STEM	STAINLESS STEEL
10	BONNET BOLT	STEEL
11	PACKING BOLT	STEEL
12	BONNET NUT	STEEL
13	PACKING NUT	BRASS
14	DISC WASHER	STAINLESS STEEL
15	STEM BUSH	BRASS
16	SPINDLE	STAINLESS STEEL
17	LEVER	STEEL
18	SPRING	SUP4
19	SPRING SUPPORT	STEEL
20	STAY	STEEL
21	SUPPORT BUSH	STEEL
22	STAY NUT	STEEL
23	NUT	STEEL
24	MACHINE SCREW	BRASS
25	SPLIT PIN	BRASS
26	MACHINE SCREW	BRASS
27	LOCK PIN	STEEL
28	PNEUMATIC CYLINDER	BRONZE / BRASS
29	NAME PLATE	BRASS
30	WASHER	STEEL
32	SET SCREW	STEEL
33	NIPPLE	BRASS
34	PACKING	NON ASBESTOS
35	BONNET GASKET	NON ASBESTOS

Test Pressure (MPa)

Rating	JIS 10K
Hydrostatic press test (Shell)	0.686
Hydrostatic press test (Seat)	0.196

Dimension

(Unit:mm)

Rating	Size	ød	øD	øC	N-øh	t	L	L1	H	H1	Globe WT (kg)
JIS 10K (JIS F7399)	50A	50	155	120	4-19	16	220	120	335	335	20.9
	65A	65	175	140	4-19	18	270	130	395	395	30.5
	80A	80	185	150	8-19	18	300	140	420	420	35.4
	100A	100	210	175	8-19	18	350	160	510	510	55.6
	125A	125	250	210	8-23	20	420	180	570	570	
	150A	150	280	240	8-23	22	490	205	660	660	
	200A	200	330	290	12-23	22	570	230	780	780	
	250A	250	400	355	12-25	24	740	290	860	860	

Remark : 1. The flanges of nominal diameter 50 or more shall conform to JIS B2210 - 10K, however they may conform to JIS B 2210 - 5K

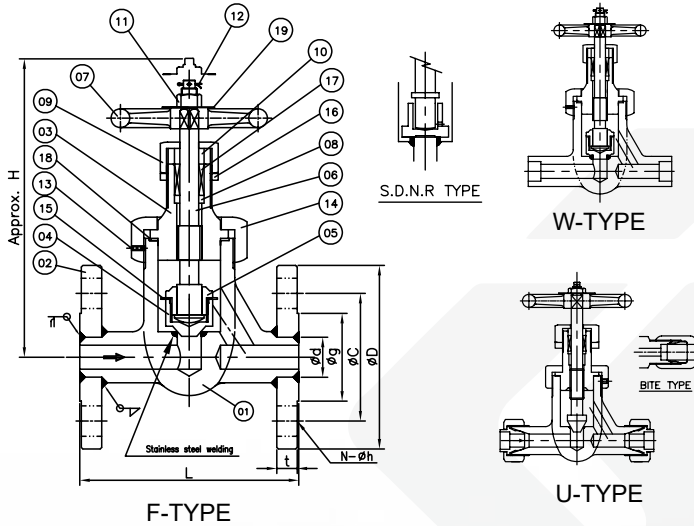
Marine Valves (Forged Steel)

JIS 40K Globe Valves

JIS F7329

JIS 40K Globe Screw-Down Check Valves

Ref. to JIS F7329



No.	PARTS	MATERIAL
1	BODY	FORGED STEEL
2	FLANGE	MILD STEEL
3	BONNET	FORGED STEEL
4	DISC	STAINLESS STEEL
5	DISC NUT	STAINLESS STEEL
6	STEM	STAINLESS STEEL
7	HANDWHEEL	CAST IRON
8	PACKING BUSH	BRASS
9	GLAND NUT	BRASS
10	GLAND	BRASS
11	HEXAGON NUT	BRASS
12	SPRIT PIN	BRASS
13	LOCKING BOLT	STEEL
14	BONNET NUT	FORGED STEEL
15	DISC LOCK WASHER	STAINLESS STEEL
16	LOCK NUT	BRASS
17	PACKING	GRAPHITE
18	GASKET	BRASS
19	NAME PLATE	ALUMINIUM

Test Pressure (MPa)

Rating	JIS 40K
Hydrostatic press test (Shell)	9.12
Hydrostatic press test (Seat)	6.69

Dimension

(Unit:mm)

Rating	Size	ød	øD	øC	N-øh	t	L	H	Weight (kg)
JIS 40K (JIS F7329)	15A	15	115	80	4-19	20	150	205	5.2
	20A	20	120	85	4-19	20	170	230	6.8
	25A	25	130	95	4-19	22	200	255	8.9

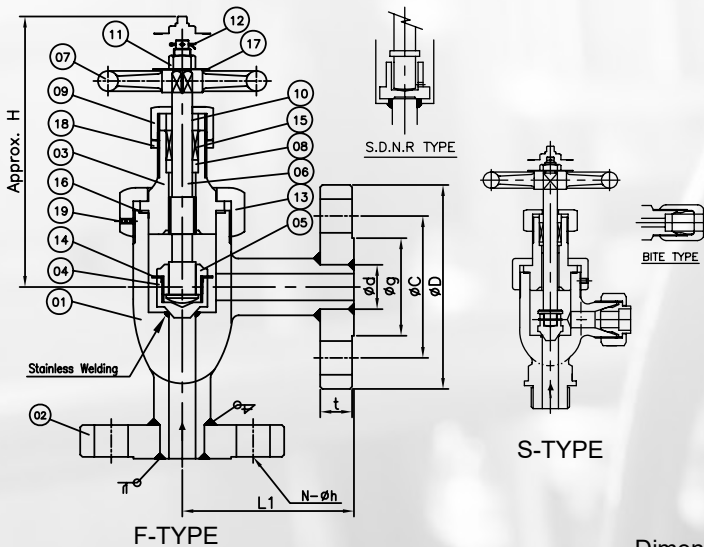
Remark : 1.The flanges shall conform to nominal pressure 40K of JIS B 2210.

JIS 40K Anlge Valves

JIS F7330

JIS 40K Anlge Screw-Down Check Valves

Ref. to JIS F7330



No.	PARTS	MATERIAL
1	BODY	FORGED STEEL
2	FLANGE	MILD STEEL
3	BONNET	FORGED STEEL
4	DISC	STAINLESS STEEL
5	DISC NUT	STAINLESS STEEL
6	STEM	STAINLESS STEEL
7	HANDWHEEL	CAST IRON
8	PACKING BUSH	BRASS
9	GLAND NUT	BRASS
10	GLAND	BRASS
11	HEXAGON NUT	BRASS
12	SPRIT PIN	BRASS
13	BONNET NUT	FORGED STEEL
14	DISC LOCK WASHER	STAINLESS STEEL
15	PACKING	GRAPHITE
16	GASKET	BRASS
17	NAME PLATE	ALUMINIUM
18	LOCK NUT	BRASS
19	LOCK BOLT	STEEL

Test Pressure (MPa)

Rating	JIS 40K
Hydrostatic press test (Shell)	9.12
Hydrostatic press test (Seat)	6.69

Dimension

(Unit:mm)

Rating	Size	ød	øD	øC	N-øh	t	L1	H	Weight (kg)
JIS 40K (JIS F7330)	15A	15	115	80	4-19	20	90	175	5.2
	20A	20	120	85	4-19	20	95	185	6.6
	25A	25	130	95	4-19	22	100	210	8.5

Remark : 1.The flanges shall conform to nominal pressure 40K of JIS B 2210.

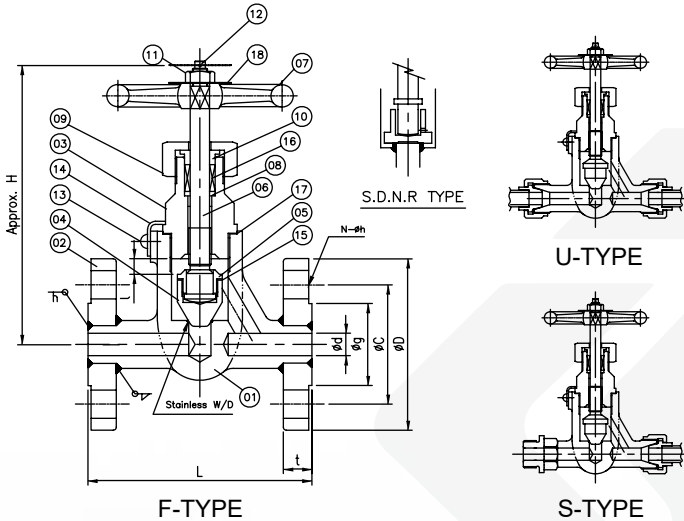
Marine Valves (Forged Steel)

JIS 30K Globe Air Valves

JIS F7336

JIS 30K Globe Screw-Down Check Air Valves

Ref. to JIS F7336



No.	PARTS	MATERIAL
1	BODY	FORGED STEEL
2	FLANGE	MILD STEEL
3	BONNET	FORGED STEEL
4	DISC	BRASS
5	VALVE DISC NUT	BRASS
6	STEM	BRASS
7	HANDWHEEL	CAST IRON
8	PACKING BUSH	BRASS
9	GLAND NUT	BRASS
10	GLAND	BRASS
11	HEXAGON NUT	BRASS
12	SPRIT PIN	BRASS
13	SCREW	STEEL
14	BONNET LOCK PLATE	STAINLESS STEEL
15	DISC LOCK WASHER	BRASS
16	PACKING	GRAPHITE
17	GASKET	BRASS
18	NAME PLATE	ALUMINUM

Test Pressure (MPa)

Rating	JIS 30K
Hydrostatic press test (Shell)	6.76
Hydrostatic press test (Seat)	4.96

Dimension

(Unit:mm)

Rating	Size	ød	øD	øC	N-øh	t	L	H	Weight (kg)
JIS 30K (JIS F7336)	15A	15	115	80	4-19	18	150	200	5.6
	20A	20	120	85	4-19	18	170	220	7.1
	25A	25	130	95	4-19	20	200	250	9.5

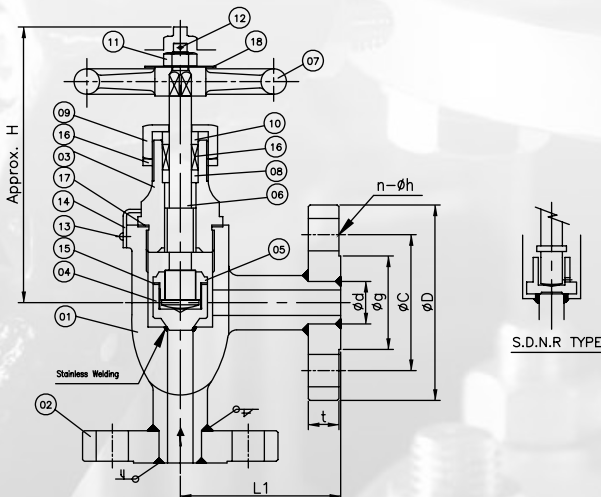
Remark : 1.The flanges shall conform to nominal pressure 30K of JIS B 2210.

JIS 30K Angle Valves

JIS F7337

JIS 30K Angle Screw-Down Check Valves

Ref. to JIS F7337



No.	PARTS	MATERIAL
1	BODY	FORGED STEEL
2	FLANGE	MILD STEEL
3	BONNET	FORGED STEEL
4	DISC	BRASS
5	VALVE DISC NUT	BRASS
6	STEM	BRASS
7	HANDWHEEL	CAST IRON
8	PACKING BUSH	BRASS
9	GLAND NUT	BRASS
10	GLAND	BRASS
11	HEXAGON NUT	BRASS
12	SPRIT PIN	BRASS
13	SCREW	STEEL
14	BONNET LOCK PLATE	STAINLESS STEEL
15	DISC LOCK WASHER	BRASS
16	PACKING	GRAPHITE
17	GASKET	BRASS
18	NAME PLATE	ALUMINUM

Test Pressure (MPa)

Rating	JIS 30K
Hydrostatic press test (Shell)	6.76
Hydrostatic press test (Seat)	4.96

Dimension

(Unit:mm)

Rating	Size	ød	øD	øC	N-øh	t	L1	H	Weight (kg)
JIS 30K (JIS F7337)	15A	15	115	80	4-19	18	90	175	5.6
	20A	20	120	85	4-19	18	95	185	7.1
	25A	25	130	95	4-19	20	100	210	9.2

Remark : 1.The flanges shall conform to nominal pressure 30K of JIS B 2210.